

havasis

ÇÖZÜMÜN
İLK ADI



Kurumsal & Ürünler

havasis.com.tr



Sipariş & Danışma Hattı

0549 449 3535

Teklif & Ürün Bilgi

hemendene@havasis.com.tr

Kalibrasyon & Bakım Onarım Merkezi

servisdestek@kalibo.com.tr

LINDSTRÖM

2024
Katalog

LINDSTRÖM
KATALOG

Welcome to the Lindström World of High Precision

LINDSTRÖM SINCE 1856

Lindström is the oldest continuous manufacturer of handtools in existence and yet one of the most forward-looking brands in the world.

We developed the scientific approach to handtool design and created the first truly ergonomic pliers and cutters. We have created more than 1,500 unique tool designs, many of which are now standard types in the electronics and medical device manufacturing industries. Some competitors have been able to implement one facet or another of our manufacturing process. Others have copied the form, appearance and actual part numbers of Lindström tools. However, none have been able to successfully blend all the elements required to achieve the level of performance recognized as true Lindström Precision Tools.

QUALITY

Lindström constantly works on improving quality and the manufacturing process. We test 100% of our products at many different facets of our manufacturing process to ensure the best performance of the tool.

Perfection is difficult to achieve but that is the goal we set for ourselves, and it is the standard our customers expect. Any customer who believes a Lindström branded product is not performing to their expectations should contact us immediately. At any time customers are invited to send tools to us for a free evaluation. We know it can be aggravating when products do not perform as expected, so we try to make it as easy as possible to repair or replace tools when warranted.

You are our customer. And our customers know good tools. So we rely on you to let us know when a tool falls short of your expectations so we can change course immediately and keep striving for 100% success.

Lindström is one of the Snap-on Industrial brands.
Thank you for choosing to be a Lindström customer.
Lindström Team.

Electronics Assembly

Since the early days of the electronics era Lindström has been the brand of choice for manufacturers performing high volume work for critical applications.

Our RX Series ergonomic products were the first handtools designed to fit the hands and needs of the user. RX Series handles revolutionized the hand tool industry, beginning in electronics assembly, military electronics and aerospace production.

As these industries matured devices shrank in size and increased in complexity Lindström developed new profiles on pliers and cutters to meet industry demands:

- Ultra-Flush® cutters for anti-shock military applications
- Tapered and relieved cutters to get in between and under tiny components
- Extra-small tip cutters for microscopy applications

Still, the most valued feature of Lindström tools is high quality, from the famous Swedish steel to the attention to details like fit and finish.

havasis



RX 8248 Flush cutters: 45° angled tips, long 18 mm jaws for improved access.



7892 Supreme bent nose pliers provide good reach and a non-marring gripping surface. Users gain better visibility and can operate with a comfortable wrist position with our 60° bent tip pliers.



51S-NC-ET tweezers: soft ESD safe, cleanroom compatible Ergo-Touch grips.

Aerospace and Defense

Lindström customers solve problems. Many of our standard off-the-shelf pliers and cutters are used throughout critical industries such as aerospace, defense and avionics manufacturing.

When presented with a need to prepare prototypes, insert or extract unique components, or cut proprietary hard wire, our customers turn to Lindström for Specially Engineered Tools made to order.

Lindström has developed tools used in specialized applications for the largest names in the military industry and for small start-up companies developing new technology. Every project receives the same attention to detail to develop a tool that is right for the job at hand. To make the process easy Lindström has no minimum order quantity for Specially Engineered Tools.

Our designers and Manufacturing Representatives work directly with end user production engineers to ensure success.

We thrive on solving problems with our customers. Contact one of our authorized distributors, Manufacturing Representatives or our office through the Lindström website directly to start the process of designing your Specially Engineered Tool today.

havasis



RX 8148 Ultra-Flush® diagonal cutter with tapered and relieved head is ideal for use in confined spaces and for rework.



341A cut and form pliers put stress relief in component lead and trims to length with one squeeze.



8140 oval head cutter and 7891 chain nose pliers are used extensively for wire harness work and assembly.

The logo for havasis, featuring the word "havasis" in a white, cursive font on an orange rectangular background.

Medical Device Manufacturing Industry

Lindström is the cutter of choice for manufacturers of medical devices – both for trimming materials and assembling high-tech miniature electronics.

For over thirty years, Lindström cutters have been used to manufacture pacemakers, stents, catheters, guide wires and more. Lindström technological improvements are driven by our customers and their demand for reliable, precise and versatile tools.

Lindström has led the way in providing handtools that perform to the specifications of manufacturers for a wide range of materials including platinum, nitinol, stainless steel, titanium, and proprietary meshes and weaves.



havasis



8150M2 cutter used to trim multiple stents thanks to the modified hardened cutting heads.



7154TC Carbide Insert Cutters suitable for tip cutting hard wire catheters and stents.



Carbon fiber tweezers 249CFR-SA is often used in laboratory and medical applications when handling sensitive components or where chemical and/or high heat resistance is needed.

Jewelry & Watchmaking

For more than 165 years Lindström handtools have been the choice of professional jewelry makers.

Today makers of jewelry and hobby creations – and a variety of artists – choose to use our pliers and cutters to create their unique designs, to precisely bend wire and consistently execute flush cuts.

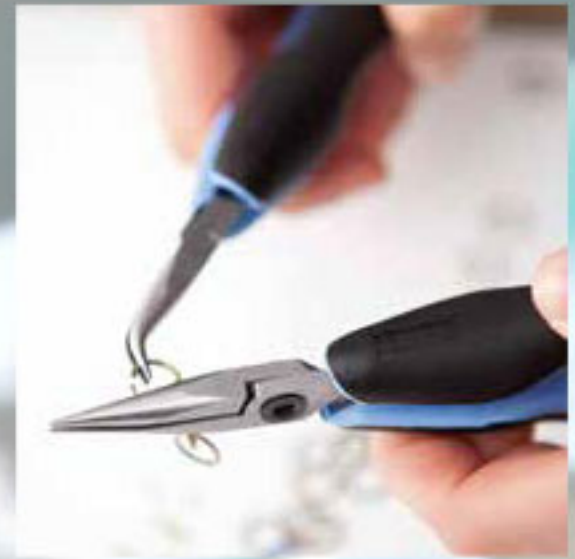
Comfort, balance and ergonomics are important to Lindström users. Our products are an extension of their hands, the means to bring their creativity to fruition with tools they can rely on.

Exacting users demand a flush cut that is truly flush, a joint that keeps the jaws perfectly aligned, and an edge that stays sharp. Trust is crucial. Artistic creations often require expensive materials, with little tolerance for waste.

havasis



7892 Supreme pliers are favored by many bead and jewelry artists.



RX 7890 and RX 7892 pliers allow precise bends and feature ultimate ergonomic handles.



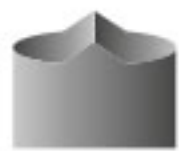
8141 cutters provide Flush cuts on bead wire and precious metals.

Cutters

Lindström cutters are designed to perform with ease, minimize operator fatigue and improve productivity. Through symmetric components, exact adherence to specifications and consistent hardening, Lindström delivers hallmark reliability.

The Lindström formula for success, refined over the last 165 years, rests upon the proprietary recipe for the steel from which we make our tools, very similar to that used to manufacture high-performance ball-bearings. The use of ball-bearing grade steel and appropriate heat treatment methods ensures Lindström cutters last longer than other brands used in the same applications. Lindström cutters are elevated to a hardness of 63-65 HRC on the cutting edge. For most manufacturers this hardness level would create a high breakage rate. Yet because of the steel and proper consistency, even when used beyond the rated capacity (as they often are!), Lindström cutters have remarkably little breakage.

PRECISION CUTTING: EDGE BEVEL / CUT RESULT



Micro-Bevel®
MICRO PEAK

- Designed to meet the high quality requirements of our customers
- Leaves a low profile cut result, important for solderability and connectivity
- Unique design with wide cutting range to suit an unmatched variety of uses



Flush
NANO PEAK

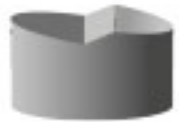
- Cut result leaves a narrow and short peak along the "pinch" line, decreasing the surface area at the cut
- Improves solderability
- Excellent for reducing lead-shock
- Very popular for the Medical Device and Jewelry manufacturing



Ultra-Flush®
NO PEAK

- The finest cut result available with the smoothest lead-end result
- Exceptional solderability
- Ultimate choice for minimizing component and lead-shock
- Perfect for use in close tolerance electronics, aerospace, defense and medical device manufacturing

SHEAR CUTTING: EDGE BEVEL / CUT RESULT



Micro EDGE

- By-pass technology: the blades are marginally misaligned by a mere 0.2 mm
- The specific blade misalignment mitigates wear and prolongs their service life, as the blades never come into contact with one another.
- Delivers a flat cut with a fraction of a peak measuring less than 0.2 mm, for applications where durability is a priority



Flush EDGE

- By-pass technology: the blades are marginally misaligned by a mere 0.2 mm
- Excellent for lead-shock applications and improves solderability
- Delivers a clean, flush cut for applications where precision is of paramount importance

HEAD TYPE



O / Oval

- The most common shape combining strength and durability
- Evenly distributes cutting impact
- Used for a wide variety of applications



T&R / Tapered & Relieved

- Tapered on both sides with underside cut away
- Minimal profile offers access to very limited spaces



A / Angle / Oblique

- Used under and between low profile, fine lead pitch components



T / Tapered

- The sides are shaped along diagonal lines
- Improved access where space is limited
- Improved maneuverability with good tool life



Unique Head

- Unique cutting heads developed together with specific end-user to solve critical applications
- Lindström exclusive heads only available within our range



TP / Tip

- Specialized adaption allows maximum access and reach
- Extremely small oval head shape for added strength at the tip



HEAD SIZES



XS Extra Small
(a) 8.0 / 0.31
(b) 5.0 / 0.20



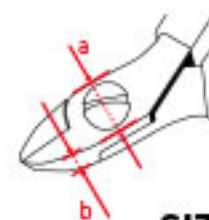
S Small
(a) 10.0 / 0.39
(b) 6.0 / 0.24



M Medium
(a) 12.5 / 0.49
(b) 6.0 / 0.24



L Large
(a) 16.0 / 0.63
(b) 8.0 / 0.31



SIZE

Width (a) (mm / inch)
Thickness (b) (mm / inch)

Pliers

Pliers replicate the function of the human hand, with greatly increased capability, in particular the thumb and index finger, in terms of force and precision. Holding pliers are available in almost unlimited shapes, styles, configurations, materials and sizes. Lindström's well renowned precision holding pliers are offered in three different series, each able to satisfy the most advanced needs of the professional user: RX Series, Supreme Series, HS Series.

Robust yet precise, Lindström pliers provide an excellent solution to a wide range of application challenges. A variety of handle styles, consistent balance and fine workmanship set our pliers apart from the rest.

SHAPE - MODELS FOR EVERY APPLICATION



Flat Nose = FN

- Flat square shape with parallel jaws provide the most surface area of standard pliers shapes
- Favored by chainmaille artists



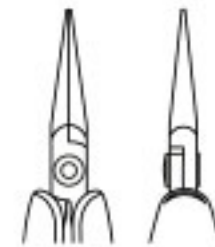
Round Nose = RN

- Round jaws taper from 7 mm to 1.0 mm at the tips
- Handy for closing loops and the finest wire work



Round/Flat Nose = R/F

- A perfect combination of the Round Nose and Flat Nose
- Handy for use in making fine curved wire work



Chain Nose = CN

- Versatile tips with Lindström's standard perfect joint and tip alignment
- Named for the work it does so well



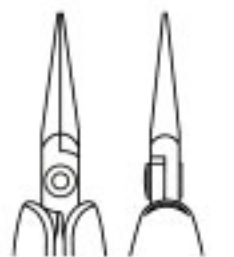
Snipe Nose = SN

- Shorter version of the chain nose, with the best gripping strength
- Used where power and torsion are paramount for the application



Bent Nose = BN

- Classic variation of the chain nose, with 60° bend at the tips
- Suited for positioning components or precise chain work



Needle Nose = NN

- Slimmer, more tapered version of chain nose design
- Allows wire loop work farther into the jaws for better grip and control

TIP SHAPE (END VIEW)



Flat tip

- Squared and parallel ends of the jaws
- A balance of strength and beauty, evident of tool making craftsmanship



Round/Flat tip

- Like a tiny ball peen hammer and anvil, these tips are all business



Round tip

- End view of the tips are perfect circles
- Lindström's precision screw joint is the reason these fine tips achieve alignment



Chain Nose Tip

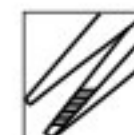
- Designed to bend wire, these tips align like D-shaped pinchers

JAW SURFACE OR EDGE



Smooth surface

- Finely milled and polished just enough to retain grip on wire



Serrated surface

- Finely honed serrations allow extra "bite" for handling tricky materials
- Cross-hatch serrations prevent objects from rolling into a groove

CUTTERS

RX	80	SUP	CO	M	SIZE	SHAPE	CUT RESULT OR SURFACE	PAGE NUMBER
RX 8130	8130				Extra Small	Oval	Micro-Bevel*	20,21
RX 8131	8131		8131 CO		Extra Small	Oval	Flush	20,21
RX 8132	8132				Extra Small	Oval	Ultra-Flush*	20,21
RX8133	8133				Extra Small	Tapered	Micro-Bevel*	22,23
RX8134	8134				Extra Small	Tapered	Flush	22,23
	8135				Extra Small	Tapered	Ultra-Flush*	22,23
RX8136	8136				Extra Small	Tapered & Relieved	Micro-Bevel*	24,25
RX 8137	8137				Extra Small	Tapered & Relieved	Flush	24,25
RX8138	8138				Extra Small	Tapered & Relieved	Ultra-Flush*	24,25
RX 8140	8140		8140 CO		Small	Oval	Micro-Bevel*	20,21
RX 8141	8141		8141 CO		Small	Oval	Flush	20,21
RX 8142	8142		8142 CO		Small	Oval	Ultra-Flush*	20,21
RX 8143	8143				Small	Tapered	Micro-Bevel*	22,23
RX 8144	8144		8144 CO		Small	Tapered	Flush	22,23
RX 8145	8145				Small	Tapered	Ultra-Flush*	22,23
RX 8146	8146				Small	Tapered & Relieved	Micro-Bevel*	24,25
RX 8147	BAH8147				Small	Tapered & Relieved	Flush	24,25
RX 8148	8148		8148 CO		Small	Tapered & Relieved	Ultra-Flush*	24,25
RX 8149	8149				Small	Tip	Flush	46
RX 8150	8150		8150 CO		Medium	Oval	Micro-Bevel*	20,21
RX 8151	8151		8151 CO		Medium	Oval	Flush	20,21
RX 8152	8152				Medium	Oval	Ultra-Flush*	20,21
RX 8153	8153				Medium	Tapered	Micro-Bevel*	22,23
RX 8154	8154		8154 CO		Medium	Tapered	Flush	22,23
RX8155	8155				Medium	Tapered	Ultra-Flush*	22,23
RX 8156	BAH8156				Medium	Tapered & Relieved	Micro-Bevel*	24,25
RX 8157	BAH8157				Medium	Tapered & Relieved	Flush	24,25
RX 8158	BAH8158				Medium	Tapered & Relieved	Ultra-Flush*	24,25
RX 8160	8160		8160 CO		Large	Oval	Micro-Bevel*	20,23,21
RX 8161	8161		8161 CO		Large	Oval	Flush	20,23,21
RX 8162	8162				Large	Oval	Ultra-Flush*	20,23,21
RX8163	8163		8163 CO		Large	Tapered	Micro-Bevel*	22,23
RX 8164	8164				Large	Tapered	Flush	22,23
RX 8165	8165		8165 CO		Large	Tapered	Ultra-Flush*	22,23
RX8166	8166L				Large	Tapered & Relieved	Micro-Bevel*	24,25
RX 8167	BAH8167				Large	Tapered & Relieved	Flush	24,25
RX 8168	BAH8168				Large	Tapered & Relieved	Ultra-Flush*	24,25
RX 8211	8211				Small	Angle 20°	Flush	41
RX8233A					Extra Small	Micro Tip 10°	Flush	47
RX8234A					Extra Small	Micro Tip 10°	Flush	47
RX8237A					Extra Small	Micro Tip 50°	Flush	47
RX 8247	8247		8247 CO		Small	Angle 45°	Flush	42
RX 8248	8248		8248 CO		Small	Angle 45°	Flush	43
	8249				Small	Angle 45°	Flush	43
		7190	7190 CO		Extra Small	Tapered	Micro-Bevel*	23
		7191	7191 CO		Extra Small	Tapered	Flush	23
		7280			Small	Angle	Flush	44
					Small	Angle	Flush	44
		7290			Small	Angle	Micro-Bevel*	38
		7291			Small	Angle	Flush	38
		7292			Small	Transverse End	Flush	39
		7293			Small	Angle	Flush	40
				7154TC	Medium	Tapered	Flush	28
RX8140M2				8140M2	Small	Oval	Micro-Bevel*	28
RX8150M2				8150M2	Medium	Oval	Micro-Bevel*	28
RX8160M2				8160M2	Large	Oval	Micro-Bevel*	28
				8154PSP	Medium	Tapered	Flush	28
RX8140PS				8140PS	Small	Oval	Micro-Bevel*	29
RX8141PS				8141PS	Small	Oval	Flush	29
RX 8142PS				8142PS	Small	Oval	Ultra-flush*	29
RX 8147PS				8147PS	Small	Tapered & Relieved	Flush	29
RX8150PS				8150PS	Medium	Oval	Micro-Bevel*	29
				8160PS	Large	Oval	Micro-Bevel*	29
RX8160BPS				8160BPS	Large	Oval	Micro-Bevel*	29
RX 8161PS				8161PS	Large	Oval	Flush	29
	6151				Medium	Tapered	Micro EDGE	34
	6152				Medium	Tapered	Flush EDGE	34
	6152SS				Medium	Tapered	Flush EDGE	34
	6159				Medium	Pointy	Flush EDGE	35
	6258				Medium	Angle	Flush EDGE	35
RX 7390					Small	Flat Nose Stubby	Smooth Tip	50
RX 7392					Small	Oblique, Stubby	Smooth Tip	50
RX 7490		7490	7490 CO		Small	Flat Nose	Smooth Tip	50
RX 7590		7590	7590 CO		Small	Round Nose	Smooth Tip	51
RX 7890		7890	7890 CO		Medium	Chain Nose	Smooth Tip	52
RX 7891		7891	7891 CO		Medium	Chain Nose	Serrated Tip	52
RX 7892		7892	7892 CO		Medium	Bent Nose	Smooth Tip	53
RX 7893		7893			Small	Sripe Nose	Smooth Tip	54
RX 7894		7894			Large	Needle Nose	Smooth Tip	55

PLIERS

PART NUMBER	38	32	28	26	24	22	21	20	19	18	17	16.5	16	15	14.5	14	13.5	13	12.5	12	← Gauge ← Inch ← mm	LEAD CATCHER		
	0.004 0.1	0.008 0.2	0.012 0.3	0.016 0.4	0.02 0.5	0.025 0.6	0.028 0.7	0.032 0.8	0.036 0.9	0.040 1.0	0.043 1.1	0.047 1.2	0.051 1.3	0.055 1.4	0.060 1.5	0.063 1.6	0.066 1.7	0.070 1.8	0.074 1.9	0.080 2.0				
8130																							✓	
8131																								✓
8132																								✓
8133																								✓
8134																								✓
8135																								✓
8136																								✓
8137																								✓
8138																								✓
8140																								✓
8141																								✓
8142																								✓
8143																								✓
8144																								✓
8145																								✓
8146																								✓
8147																								✓
8148																								✓
8149																								✓
8150																								✓
8151																								✓
8152																								✓
8153																								✓
8154																								✓
8155																								✓
8156																								✓
8157																								✓
8158																								✓
8160																								✓
8161																								✓
8162																								✓
8163																								✓
8164																								✓
8165																								✓
8166																								✓
8167																								✓
8168																								✓
8211																								✓
8233A																								✓
8234A																								✓
8237A																								✓
8247																								✓
8248																								✓
8249																								✓
7190																								✓
7191																								✓
7280																								✓
7285																								✓
7290																								✓
7291																								✓
7292																								✓
7293																								✓
7154TC																								✓
8140M2																								✓
8150M2																								✓
8160M2																								✓
8154PSP																								✓
8140PS																								✓
8141PS																								✓
8142PS																								✓
8147PS																								✓
8150PS																								✓
8160PS																								✓
8160BPS																								✓
8161PS																								✓
6151																								✓
6152																								✓
6152SS																								✓
6159																								✓
6258																								✓

- Piano wire**
Tensile strength of wire 2400 MPa
- Hard wire: Stainless Steel, Titanium and Platinum**
Tensile strength of wire 1800 MPa
- Medium Hard wire: Standard Steel, Gold and Sterling Silver**
Tensile strength of wire 800 MPa
- Soft wire: Copper Wire, Soft Plastics**
Tensile strength of wire 250 MPa

- RX** The ultimate in ergonomic and ESD safe handles
- 80** Traditional ESD safe 80 Series handles
- SUP** Traditional ESD safe Supreme Series handles



- CO** ESD safe Conductive handles
- M** Traditional ESD safe Medical Series handles



Lead catcher. Add "-S" to part number.
Example: 8140-S



RX Series

The ultimate in comfort, performance and precision

We have put all of our experience, technical expertise and ergonomic know-how into the successful RX Series. Take a close look at any RX tool, try it out and then compare it to all competitors on the market. Lindström RX Series will always come out on top!



Our scientific ERGO* Development Program (the "11-Point Program") has resulted in many successful and scientifically evaluated ergonomic tools.

While many others just talk about ergonomics, we deliver scientifically validated solutions.



All Lindström cutters and pliers are ESD safe and safely dissipate electrostatic charges, reducing the possibility of damage to sensitive components.

Warning! Lindström cutters and pliers should never be used on electrified equipment.



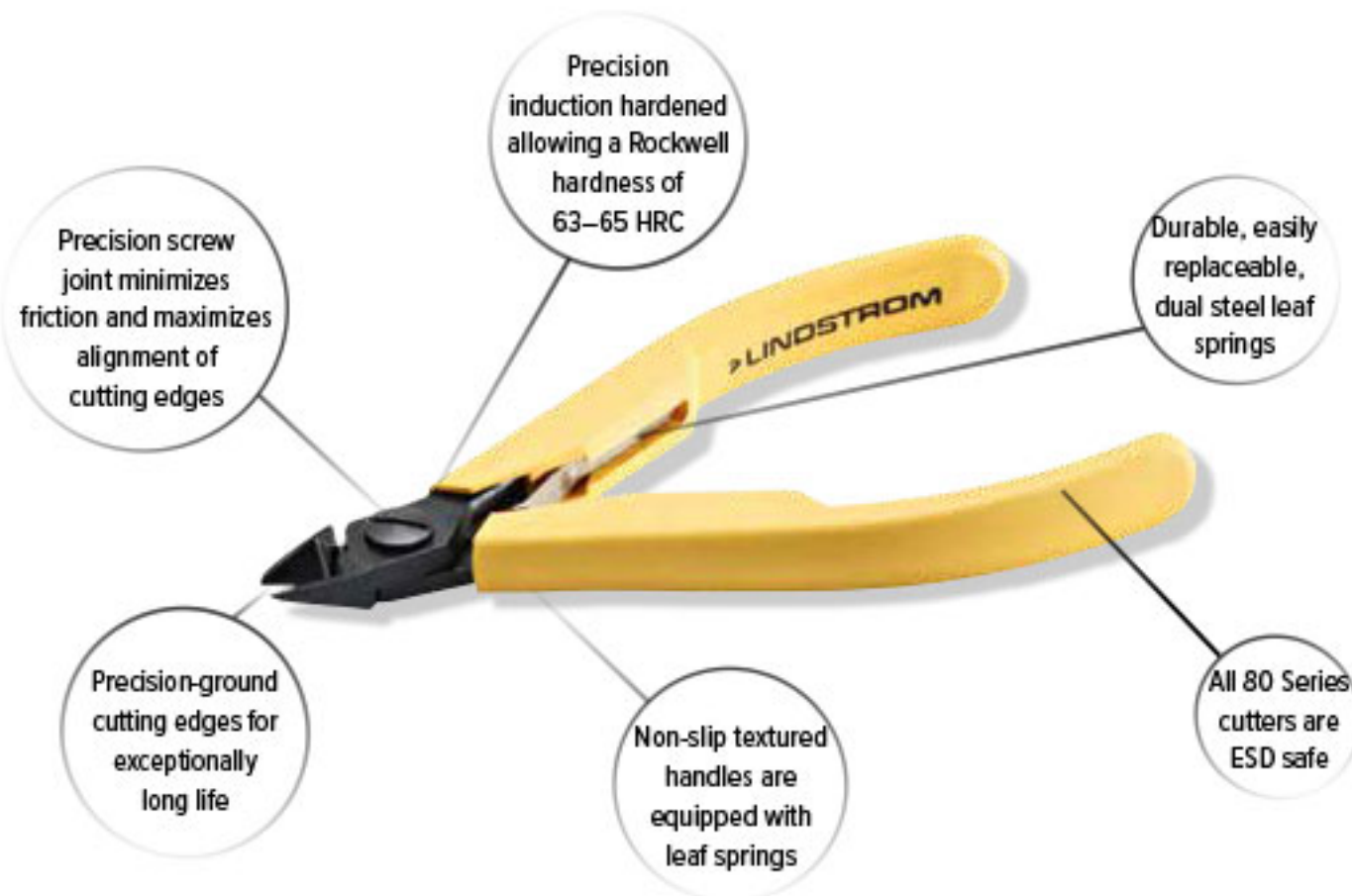
RX 7891 chain nose pliers. 32 mm jaw length, serrated with radiused edges.



RX 8150 oval head cutter. Ideal for cutting leads, jewelry wire, and general assembly applications.

The original Lindström 80 Series Cutters

Tried and true performance for the traditional user. The Lindström 80 Series remains the top choice for the traditional user. This range of cutters offers unsurpassed cutting capacity covering a wide range of wire dimensions and types. This is the technology that “started it all” for Lindström.



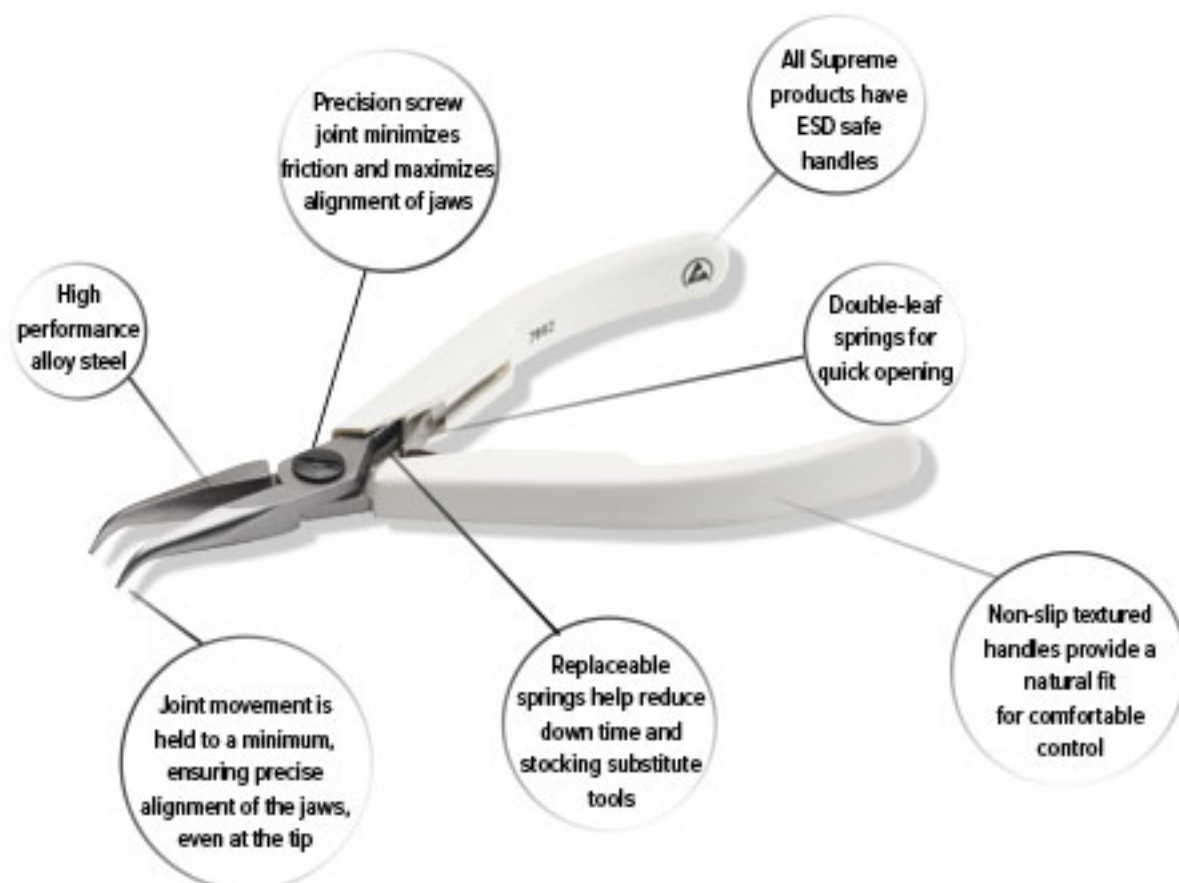
8144 tapered head cutter, ideal for assembly work where accessibility is a consideration.



8140 oval head cutter, ideal for wire harness work and standard printed circuit board assembly.

Lindström Supreme Series for dependable results

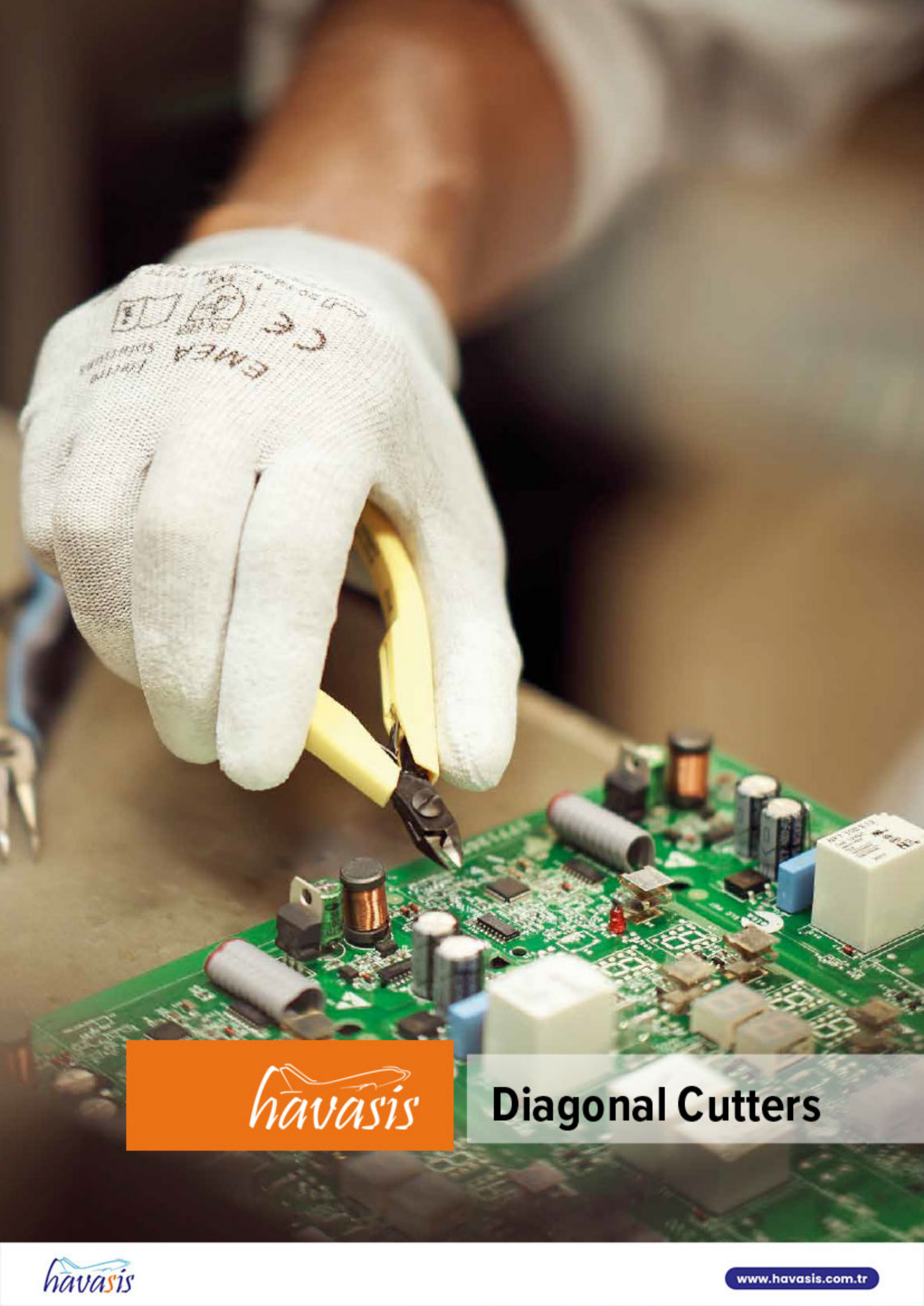
The Supreme Series features a precision screw & nut in an advanced lap joint design. Joint play is held to a minimum, ensuring precise alignment of the jaws even at the tips. Supreme Series oblique end cutters are preferred by jewelry and wire artists, while transverse cutters are uniquely suited to trimming leads in hard to reach assemblies.



7292 Supreme miniature end cutter is ideal for use in confined spaces.



7590 Supreme round nose pliers with no sharp edges.



Diagonal Cutters

Oval Head

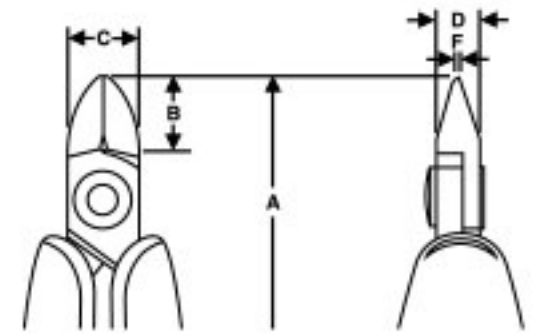
- Precision screw joint minimizes friction and maximizes alignment of cutting edges
- Precision induction hardened cutting edges 63–65 HRC
- Material: High performance alloy steel
- Cutting capacity is listed for solid copper wire
- Black Oxide finish



Ideal for cutting leads, jewelry wire, and general assembly applications



Micro-Bevel[®] Flush Ultra-Flush



RX Series: Two-component ESD safe Ergo™ handles: Thermoplastic surface on tough polypropylene provides superior grip

- Micro-Touch™: The shape of the handles makes it possible to control and rotate the pliers between thumb and index finger for precision work
- Biospring reduces tension throughout the working cycle of the tool and can be adjusted in three different positions



Part No.			A mm / in	B mm / in	C mm / in	D mm / in	F mm / in				Ω
RX 8130	Oval	XS	133.5 / 5.25	8.5 / 0.33	8.0 / 0.31	5.0 / 0.2	0.8 / 0.03	0.2-1.0 / 0.00	Micro-Bevel [®]	68	Dissipative
RX 8131	Oval	XS	133.5 / 5.25	8.5 / 0.33	8.0 / 0.31	5.0 / 0.2	0.8 / 0.03	0.1-1.0 / 0.00	Flush	68	Dissipative
RX 8132	Oval	XS	133.5 / 5.25	8.5 / 0.33	8.0 / 0.31	5.0 / 0.2	0.8 / 0.03	0.1-0.8 / 0.00-0.03	Ultra-Flush [®]	68	Dissipative
RX 8140	Oval	S	135.5 / 5.33	10.5 / 0.41	10.0 / 0.39	6.0 / 0.24	0.8 / 0.03	0.2-1.25 / 0.00-0.05	Micro-Bevel [®]	70	Dissipative
RX 8141	Oval	S	135.5 / 5.33	10.5 / 0.41	10.0 / 0.39	6.0 / 0.24	0.8 / 0.03	0.1-1.25 / 0.00-0.05	Flush	70	Dissipative
RX 8142	Oval	S	135.5 / 5.33	10.5 / 0.41	10.0 / 0.39	6.0 / 0.24	0.8 / 0.03	0.1-1.0 / 0.00-0.04	Ultra-Flush [®]	70	Dissipative
RX 8150	Oval	M	138.0 / 5.43	13.0 / 0.51	12.5 / 0.49	6.0 / 0.24	1.2 / 0.05	0.3-1.6 / 0.01-0.06	Micro-Bevel [®]	73	Dissipative
RX 8151	Oval	M	138.0 / 5.43	13.0 / 0.51	12.5 / 0.49	6.0 / 0.24	1.2 / 0.05	0.2-1.6 / 0.00-0.06	Flush	73	Dissipative
RX 8152	Oval	M	138.0 / 5.43	13.0 / 0.51	12.5 / 0.49	6.0 / 0.24	1.2 / 0.05	0.2-1.25 / 0.00-0.05	Ultra-Flush [®]	73	Dissipative
RX 8160	Oval	L	147.0 / 5.80	16.0 / 0.63	16.0 / 0.63	8.0 / 0.31	1.6 / 0.06	0.4-2.0 / 0.02	Micro-Bevel [®]	97	Dissipative
RX 8161	Oval	L	147.0 / 5.80	16.0 / 0.63	16.0 / 0.63	8.0 / 0.31	1.6 / 0.06	0.3-2.0 / 0.01	Flush	97	Dissipative
RX 8162	Oval	L	147.0 / 5.80	16.0 / 0.63	16.0 / 0.63	8.0 / 0.31	1.6 / 0.06	0.3-1.6 / 0.01	Ultra-Flush [®]	97	Dissipative



Oval Head

80 Series:

ESD safe synthetic mono material with leaf springs



80 Series

Part No.			A mm / in	B mm / in	C mm / in	D mm / in	F mm / in			g	Ω
8130	Oval	XS	108.0 / 4.25	8.5 / 0.33	8.0 / 0.31	5.0 / 0.2	0.8 / 0.03	0.2-1.0 / 0.01-0.04	Micro-Bevel*	43	Dissipative
8131	Oval	XS	108.0 / 4.25	8.5 / 0.33	8.0 / 0.31	5.0 / 0.2	0.8 / 0.03	0.1-1.0 / 0.00-0.04	Flush	43	Dissipative
8132	Oval	XS	108.0 / 4.25	8.5 / 0.33	8.0 / 0.31	5.0 / 0.2	0.8 / 0.03	0.1-0.8 / 0.00-0.03	Ultra-Flush*	43	Dissipative
8140	Oval	S	110.0 / 4.33	10.5 / 0.41	10.0 / 0.39	6.0 / 0.24	0.8 / 0.03	0.2-1.25 / 0.01-0.05	Micro-Bevel*	46	Dissipative
8141	Oval	S	110.0 / 4.33	10.5 / 0.41	10.0 / 0.39	6.0 / 0.24	0.8 / 0.03	0.1-1.25 / 0.00-0.05	Flush	46	Dissipative
8142	Oval	S	110.0 / 4.33	10.5 / 0.41	10.0 / 0.39	6.0 / 0.24	0.8 / 0.03	0.1-1.0 / 0.00-0.04	Ultra-Flush*	46	Dissipative
8150	Oval	M	112.5 / 4.43	13.0 / 0.51	12.5 / 0.50	6.0 / 0.24	1.2 / 0.05	0.3-1.6 / 0.01-0.06	Micro-Bevel*	50	Dissipative
8151	Oval	M	112.5 / 4.43	13.0 / 0.51	12.5 / 0.50	6.0 / 0.24	1.2 / 0.05	0.2-1.6 / 0.01-0.06	Flush	50	Dissipative
8152	Oval	M	112.5 / 4.43	13.0 / 0.51	12.5 / 0.50	6.0 / 0.24	1.2 / 0.05	0.1-1.25 / 0.00-0.05	Ultra-Flush*	50	Dissipative
8160	Oval	L	125.0 / 4.92	16.0 / 0.63	16.0 / 0.63	8.0 / 0.31	1.6 / 0.06	0.4-2.0 / 0.02-0.08	Micro-Bevel*	88	Dissipative
8161	Oval	L	125.0 / 4.92	16.0 / 0.63	16.0 / 0.63	8.0 / 0.31	1.6 / 0.06	0.3-2.0 / 0.01-0.08	Flush	88	Dissipative
8162	Oval	L	125.0 / 4.92	16.0 / 0.63	16.0 / 0.63	8.0 / 0.31	1.6 / 0.06	0.3-1.6 / 0.01-0.08	Ultra-Flush*	88	Dissipative
8131 CO	Oval	XS	108.0 / 4.25	8.5 / 0.33	8.0 / 0.31	5.0 / 0.2	0.8 / 0.03	0.1-1.0 / 0.00-0.04	Flush	43	Conductive
8140 CO	Oval	S	110.0 / 4.33	10.5 / 0.41	10.0 / 0.39	6.0 / 0.24	0.8 / 0.03	0.2-1.25 / 0.01-0.05	Micro-Bevel*	46	Conductive
8141 CO	Oval	S	110.0 / 4.33	10.5 / 0.41	10.0 / 0.39	6.0 / 0.24	0.8 / 0.03	0.1-1.25 / 0.00-0.05	Flush	46	Conductive
8142 CO	Oval	S	110.0 / 4.33	10.5 / 0.41	10.0 / 0.39	6.0 / 0.24	0.8 / 0.03	0.1-1.0 / 0.00-0.04	Ultra-Flush*	46	Conductive
8150 CO	Oval	M	112.5 / 4.43	13.0 / 0.51	12.5 / 0.50	6.0 / 0.24	1.2 / 0.05	0.3-1.6 / 0.01-0.06	Micro-Bevel*	50	Conductive
8151 CO	Oval	M	112.5 / 4.43	12.5 / 0.50	12.5 / 0.50	6.0 / 0.24	1.2 / 0.05	0.2-1.6 / 0.01-0.06	Flush	50	Conductive
8160 CO	Oval	L	125.0 / 4.92	16.0 / 0.63	16.0 / 0.63	8.0 / 0.31	1.6 / 0.06	0.4-2.0 / 0.02-0.08	Micro-Bevel*	88	Conductive
8161 CO	Oval	L	125.0 / 4.92	16.0 / 0.63	16.0 / 0.63	8.0 / 0.31	1.6 / 0.06	0.3-2.0 / 0.01-0.08	Flush	88	Conductive



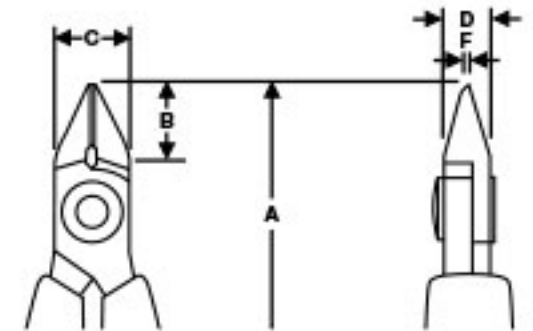
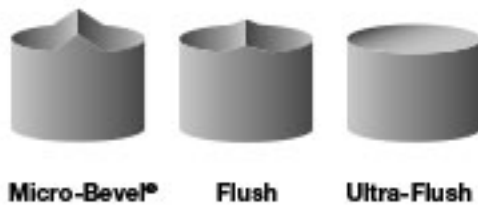


Tapered Head

- Precision screw joint minimizes friction and maximizes alignment of cutting edges
- Precision induction hardened cutting edges 63–65 HRC
- Material: High performance alloy steel
- Cutting capacity is listed for solid copper wire
- Black Oxide finish



• Ideal for assembly work where accessibility is a consideration •



RX Series: Two-component ESD safe Ergo™ handles: Thermoplastic surface on tough polypropylene provides superior grip

- Micro-Touch™: The shape of the handles makes it possible to control and rotate the pliers between thumb and index finger for precision work
- Biospring reduces tension throughout the working cycle of the tool and can be adjusted in three different positions



Part No.			A mm / in	B mm / in	C mm / in	D mm / in	F mm / in				
RX8133	Tapered	XS	133.5 / 5.25	8.0 / 0.31	8.0 / 0.31	5.0 / 0.2	0.8 / 0.03	0.2–1.0 / 0.008–0.04	Micro-Bevel*	66	Dissipative
RX8134	Tapered	XS	133.5 / 5.25	8.0 / 0.31	8.0 / 0.31	5.0 / 0.2	0.8 / 0.03	0.1–0.8 / 0.004–0.03	Flush	66	Dissipative
RX 8143	Tapered	S	135.5 / 5.25	10.5 / 0.41	8.0 / 0.39	6.0 / 0.24	0.8 / 0.03	0.2–1.25 / 0.01–0.05	Micro-Bevel*	68	Dissipative
RX 8144	Tapered	S	135.5 / 5.25	10.5 / 0.41	8.0 / 0.39	6.0 / 0.24	0.8 / 0.03	0.1–1.25 / 0.00–0.05	Flush	68	Dissipative
RX 8145	Tapered	S	135.5 / 5.25	10.5 / 0.41	8.0 / 0.39	6.0 / 0.24	0.8 / 0.03	0.1–1.0 / 0.00–0.04	Ultra-Flush*	68	Dissipative
RX 8153	Tapered	M	138.0 / 5.30	13.0 / 0.51	12.5 / 0.49	6.0 / 0.24	1.2 / 0.05	0.3–1.6 / 0.01–0.06	Micro-Bevel*	71	Dissipative
RX 8154	Tapered	M	138.0 / 5.30	13.0 / 0.51	12.5 / 0.49	6.0 / 0.24	1.2 / 0.05	0.2–1.6 / 0.01–0.06	Flush	71	Dissipative
RX8155	Tapered	M	138.0 / 5.30	13.0 / 0.51	12.5 / 0.49	6.0 / 0.24	1.2 / 0.05	0.2–1.25 / 0.01–0.05	Ultra-Flush*	71	Dissipative
RX8163	Tapered	L	147.0 / 5.80	16.0 / 0.63	16.0 / 0.63	8.0 / 0.31	1.6 / 0.06	0.4–2.0 / 0.02–0.08	Micro-Bevel*	95	Dissipative
RX 8164	Tapered	L	147.0 / 5.80	16.0 / 0.63	16.0 / 0.63	8.0 / 0.31	1.6 / 0.06	0.3–2.0 / 0.01–0.08	Flush	95	Dissipative
RX 8165	Tapered	L	147.0 / 5.80	16.0 / 0.63	16.0 / 0.63	8.0 / 0.31	1.6 / 0.06	0.3–1.6 / 0.01–0.06	Ultra-Flush*	95	Dissipative



Tapered Head



80 Series

80 Series: ESD safe synthetic mono material with leaf springs

Part No.			A mm / in	B mm / in	C mm / in	D mm / in	F mm / in				Ω
8133	Tapered	XS	108.0 / 4.25	8.0 / 0.31	8.0 / 0.31	5.0 / 0.2	0.8 / 0.03	0.2-1.0 / 0.008-0.04	Micro-Bevel*	43	Dissipative
8134	Tapered	XS	108.0 / 4.25	8.0 / 0.31	8.0 / 0.31	5.0 / 0.2	0.8 / 0.03	0.1-0.8 / 0.004-0.03	Flush	43	Dissipative
8135	Tapered	XS	108.0 / 4.25	8.0 / 0.31	8.0 / 0.31	5.0 / 0.2	0.8 / 0.03	0.1-0.5 / 0.004-0.02	Ultra-Flush*	43	Dissipative
8143	Tapered	S	110.0 / 4.33	10.5 / 0.41	8.0 / 0.39	6.0 / 0.24	0.8 / 0.03	0.2-1.25 / 0.01-0.05	Micro-Bevel*	46	Dissipative
8144	Tapered	S	110.0 / 4.33	10.5 / 0.41	8.0 / 0.39	6.0 / 0.24	0.8 / 0.03	0.2-1.25 / 0.01-0.05	Flush	46	Dissipative
8145	Tapered	S	110.0 / 4.33	10.5 / 0.41	8.0 / 0.39	6.0 / 0.24	0.8 / 0.03	0.1-1.0 / 0.00-0.04	Ultra-Flush*	46	Dissipative
8153	Tapered	M	112.5 / 4.43	13.0 / 0.51	12.5 / 0.50	6.0 / 0.24	1.2 / 0.05	0.3-1.6 / 0.01-0.06	Micro-Bevel*	49	Dissipative
8154	Tapered	M	112.5 / 4.43	13.0 / 0.51	12.5 / 0.50	6.0 / 0.24	1.2 / 0.05	0.2-1.6 / 0.01-0.06	Flush	49	Dissipative
8155	Tapered	M	112.5 / 4.43	13.0 / 0.51	12.5 / 0.50	6.0 / 0.24	1.2 / 0.05	0.2-1.25 / 0.01-0.05	Ultra-Flush*	49	Dissipative
8163	Tapered	L	125.0 / 4.92	16.0 / 0.63	16.0 / 0.63	8.0 / 0.31	1.6 / 0.06	0.4-2.0 / 0.02-0.08	Micro-Bevel*	88	Dissipative
8164	Tapered	L	125.0 / 4.92	16.0 / 0.63	16.0 / 0.63	8.0 / 0.31	1.6 / 0.06	0.3-2.0 / 0.01-0.08	Flush	88	Dissipative
8165	Tapered	L	125.0 / 4.92	16.0 / 0.63	16.0 / 0.63	8.0 / 0.31	1.6 / 0.06	0.3-1.6 / 0.01-0.06	Ultra-Flush*	88	Dissipative
8144 CO	Tapered	S	110.0 / 4.33	10.5 / 0.41	10.0 / 0.39	6.0 / 0.24	0.8 / 0.03	0.2-1.25 / 0.01-0.05	Flush	46	Conductive
8154 CO	Tapered	M	112.5 / 4.43	13.0 / 0.51	12.5 / 0.50	6.0 / 0.24	1.2 / 0.05	0.2-1.6 / 0.01-0.06	Flush	49	Conductive
8163 CO	Tapered	L	125.0 / 4.92	16.0 / 0.63	16.0 / 0.63	8.0 / 0.31	1.6 / 0.06	0.4-2.0 / 0.02-0.08	Micro-Bevel*	88	Conductive
8165 CO	Tapered	L	125.0 / 4.92	16.0 / 0.63	16.0 / 0.63	8.0 / 0.31	1.6 / 0.06	0.3-1.6 / 0.01-0.06	Ultra-Flush*	88	Conductive

Supreme Series: ESD safe synthetic mono material with leaf springs
Natural finish



Supreme Series

Part No.			A mm / in	B mm / in	C mm / in	D mm / in	F mm / in				Ω
7190	Tapered	XS	108.0 / 4.29	9.0 / 0.35	9.0 / 0.35	6.0 / 0.24	1.0 / 0.04	0.2-1.0 / 0.00-0.04	Micro-Bevel*	50	Dissipative
7191	Tapered	XS	108.0 / 4.29	9.0 / 0.35	9.0 / 0.35	6.0 / 0.24	1.0 / 0.04	0.1-1.0 / 0.00-0.04	Flush	50	Dissipative
7190 CO	Tapered	XS	108.0 / 4.29	9.0 / 0.35	9.0 / 0.35	6.0 / 0.24	1.0 / 0.04	0.2-1.0 / 0.00-0.04	Micro-Bevel*	50	Conductive
7191 CO	Tapered	XS	108.0 / 4.29	9.0 / 0.35	9.0 / 0.35	6.0 / 0.24	1.0 / 0.04	0.1-1.0 / 0.00-0.04	Flush	50	Conductive

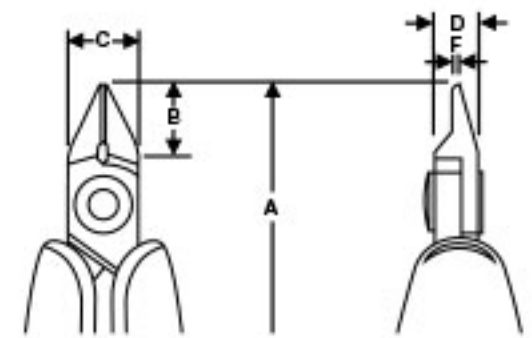
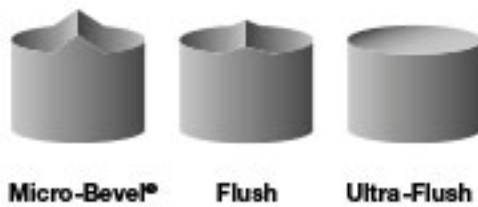


Tapered & Relieved Head

- Precision screw joint minimizes friction and maximizes alignment of cutting edges
- Precision induction hardened cutting edges 63–65 HRC
- Material: High performance alloy steel
- Cutting capacity is listed for solid copper wire
- Black Oxide finish



▶ Ideal for use in confined spaces and for rework



RX Series: Two-component ESD safe Ergo™ handles: Thermoplastic surface on tough polypropylene provides superior grip

- Micro-Touch™: The shape of the handles makes it possible to control and rotate the pliers between thumb and index finger for precision work
- Biospring reduces tension throughout the working cycle of the tool and can be adjusted in three different positions



Part No.			A mm / in	B mm / in	C mm / in	D mm / in	F mm / in	 mm / in			
RX8136	Tapered & Relieved	XS	133.5 / 5.25	8.0 / 0.31	8.0 / 0.31	5.0 / 0.2	0.8 / 0.03	0.1-0.8 / 0.004-0.03	Micro-Bevel*	66	Dissipative
RX 8137	Tapered & Relieved	XS	133.5 / 5.25	8.0 / 0.31	8.0 / 0.31	5.0 / 0.2	0.8 / 0.03	0.1-0.8 / 0.004-0.03	Flush	66	Dissipative
RX8138	Tapered & Relieved	XS	133.5 / 5.25	8.0 / 0.31	8.0 / 0.31	5.0 / 0.2	0.8 / 0.03	0.1-0.5 / 0.004-0.02	Ultra-Flush*	66	Dissipative
RX 8146	Tapered & Relieved	S	135.5 / 5.25	10.5 / 0.41	10.0 / 0.39	6.0 / 0.24	0.8 / 0.03	0.2-1.0 / 0.01-0.04	Micro-Bevel*	68	Dissipative
RX 8147	Tapered & Relieved	S	135.5 / 5.25	10.5 / 0.41	10.0 / 0.39	6.0 / 0.24	0.8 / 0.03	0.1-1.0 / 0.00-0.04	Flush	68	Dissipative
RX 8148	Tapered & Relieved	S	135.5 / 5.25	10.5 / 0.41	10.0 / 0.39	6.0 / 0.24	0.8 / 0.03	0.1-0.8 / 0.00-0.03	Ultra-Flush*	68	Dissipative
RX 8156	Tapered & Relieved	M	138.0 / 5.30	13.0 / 0.51	12.5 / 0.49	6.0 / 0.24	1.2 / 0.05	0.3-1.25 / 0.01-0.05	Ultra-Flush*	70	Dissipative
RX 8157	Tapered & Relieved	M	138.0 / 5.30	13.0 / 0.51	12.5 / 0.49	6.0 / 0.24	1.2 / 0.05	0.2-1.25 / 0.01-0.05	Flush	70	Dissipative
RX 8158	Tapered & Relieved	M	138.0 / 5.30	13.0 / 0.51	12.5 / 0.49	6.0 / 0.24	1.2 / 0.05	0.2-1.0 / 0.01-0.04	Ultra-Flush*	70	Dissipative
RX8166	Tapered & Relieved	L	147.0 / 5.80	16.0 / 0.63	16.0 / 0.63	8.0 / 0.31	1.6 / 0.06	0.4-1.5 / 0.02-0.06	Micro-Bevel*	139	Dissipative
RX 8167	Tapered & Relieved	L	147.0 / 5.80	16.0 / 0.63	16.0 / 0.63	8.0 / 0.31	1.6 / 0.06	0.3-1.5 / 0.01-0.06	Flush	139	Dissipative
RX 8168	Tapered & Relieved	L	147.0 / 5.80	16.0 / 0.63	16.0 / 0.63	8.0 / 0.31	1.6 / 0.06	0.3-1.25 / 0.01-0.05	Ultra-Flush*	139	Dissipative

Tapered & Relieved Head



RX Series: EXTRA SLIM HEAD

Part No.			A mm / in	B mm / in	C mm / in	D mm / in	F mm / in				Ω
RX8137MX	Tapered & Relieved	XS	133.5 / 5.25	8.0 / 0.31	8.0 / 0.31	5.0 / 0.2	0.1 / 0.0	0.1-0.8 / 0.004-0.03	Flush	66	Dissipative
RX8138MX	Tapered & Relieved	XS	133.5 / 5.25	8.0 / 0.31	8.0 / 0.31	5.0 / 0.2	0.1 / 0.0	0.1-0.8 / 0.004-0.03	Ultra-Flush*	66	Dissipative

Unique cutting heads developed together with specific end-user to solve critical applications



80 Series: ESD safe synthetic mono material with leaf springs

Part No.			A mm / in	B mm / in	C mm / in	D mm / in	F mm / in				Ω
8136	Tapered & Relieved	XS	108.0 / 4.25	8.0 / 0.31	8.0 / 0.31	5.0 / 0.2	0.6 / 0.02	0.1-0.8 / 0.004-0.03	Micro-Bevel*	43	Dissipative
8137	Tapered & Relieved	XS	108.0 / 4.25	8.0 / 0.31	8.0 / 0.31	5.0 / 0.2	0.6 / 0.02	0.1-0.8 / 0.004-0.03	Flush	43	Dissipative
8138	Tapered & Relieved	XS	108.0 / 4.25	8.0 / 0.31	8.0 / 0.31	5.0 / 0.2	0.6 / 0.02	0.1-0.5 / 0.004-0.02	Ultra-Flush*	43	Dissipative
8146	Tapered & Relieved	S	110.5 / 4.33	10.0 / 0.39	10.0 / 0.39	6.0 / 0.24	0.8 / 0.03	0.2-1.0 / 0.01-0.04	Micro-Bevel*	46	Dissipative
8147	Tapered & Relieved	S	110.5 / 4.33	10.0 / 0.39	10.0 / 0.39	6.0 / 0.24	0.8 / 0.03	0.1-1.0 / 0.01-0.04	Flush	46	Dissipative
8148	Tapered & Relieved	S	110.5 / 4.33	10.0 / 0.39	10.0 / 0.39	6.0 / 0.24	0.8 / 0.03	0.1-0.8 / 0.00-0.03	Ultra-Flush*	45	Dissipative
8156	Tapered & Relieved	M	112.5 / 4.43	12.5 / 0.5	12.5 / 0.50	6.0 / 0.24	1.2 / 0.05	0.3-1.25 / 0.01-0.05	Micro-Bevel*	49	Dissipative
8157	Tapered & Relieved	M	112.5 / 4.43	12.5 / 0.5	12.5 / 0.50	6.0 / 0.24	1.2 / 0.05	0.2-1.25 / 0.01-0.05	Flush	49	Dissipative
8158	Tapered & Relieved	M	112.5 / 4.43	12.5 / 0.5	12.5 / 0.50	6.0 / 0.24	1.2 / 0.05	0.2-1.0 / 0.01-0.04	Ultra-Flush*	49	Dissipative
8166L	Tapered & Relieved	L	125.0 / 4.92	16.0 / 0.63	16.0 / 0.63	8.0 / 0.31	1.6 / 0.06	0.4-1.5 / 0.02-0.06	Micro-Bevel*	52	Dissipative
8167L	Tapered & Relieved	L	125.0 / 4.92	16.0 / 0.63	16.0 / 0.63	8.0 / 0.31	1.6 / 0.06	0.3-1.5 / 0.01-0.06	Flush	52	Dissipative
8168L	Tapered & Relieved	L	125.0 / 4.92	16.0 / 0.63	16.0 / 0.63	8.0 / 0.31	1.6 / 0.06	0.3-1.25 / 0.01-0.05	Ultra-Flush*	51	Dissipative
8148 CO	Tapered & Relieved	S	110.0 / 4.33	10.0 / 0.39	10.0 / 0.39	6.0 / 0.24	0.8 / 0.03	0.1-0.8 / 0.00-0.03	Ultra-Flush*	45	Conductive



Flush cutters are identified by a circle on the handle.



Stripping Head

- Precision screw joint minimizes friction and maximizes alignment of cutting edges
- Precision induction hardened cutting edges 63–65 HRC
- Material: High performance alloy steel
- Cutting capacity is listed for solid copper wire
- Black Oxide finish



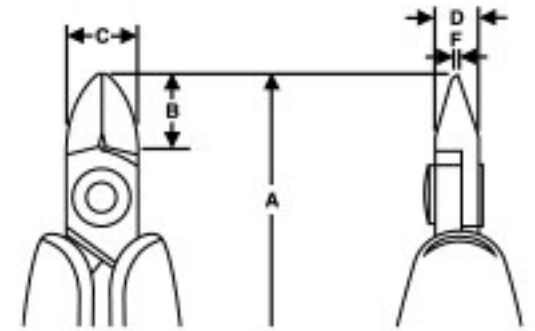
• Ideal for wire harness work & standard printed circuit board assembly
Also valid for stripping

8160J
Stripping Capacity: > 0,5 mm

8150 SK
Stripping Capacity: > 0,9 - 1,8 mm



Micro-Bevel®



80 Series

80 Series: ESD safe synthetic mono material with leaf springs

Part No.			A mm / In	B mm / In	C mm / In	D mm / In	F mm / In	 mm / In			
8150 J	Oval	M	112.5 / 4.43	13.0 / 0.51	12.5 / 0.50	6.0 / 0.24	1.2 / 0.05	Max / 0.5	Micro-Bevel®	50	Dissipative
8160 J	Oval	L	125.0 / 4.92	16.0 / 0.62	16.0 / 0.63	8.0 / 0.31	1.6 / 0.06	Max / 0.5	Micro-Bevel®	87	Dissipative

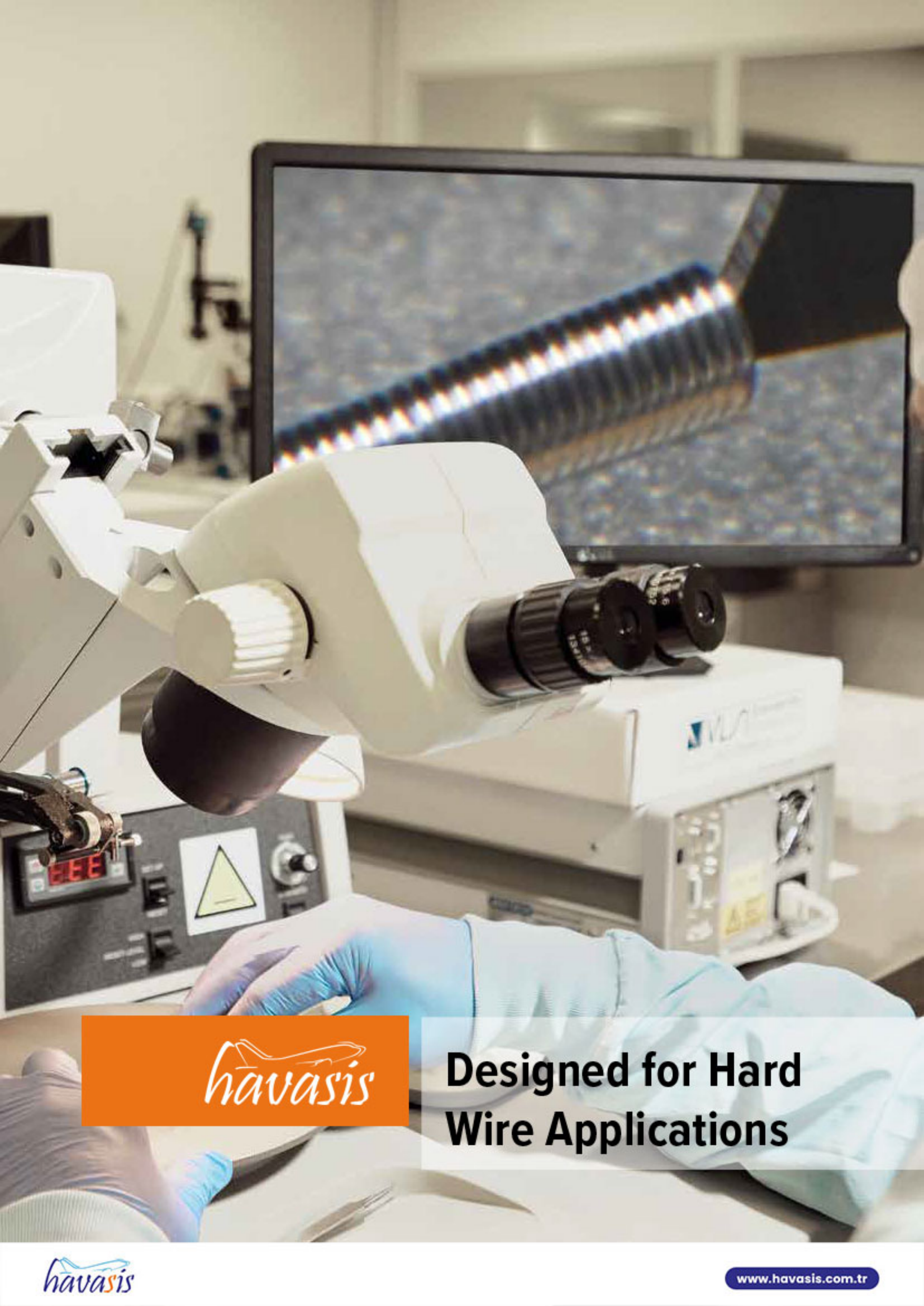


80 Series

80 Series: ESD safe synthetic mono material with leaf springs

Part No.			A mm / In	B mm / In	C mm / In	D mm / In	F mm / In	 mm / In			
8150 SK	Oval	M	112.5 / 4.43	13.0 / 0.51	12.5 / 0.50	6.0 / 0.24	1.2 / 0.05	0.3-1.6 / 0.01-0.06	Micro-Bevel®	50	Dissipative

Unique cutting heads developed together with specific end-user to solve critical applications



havasis

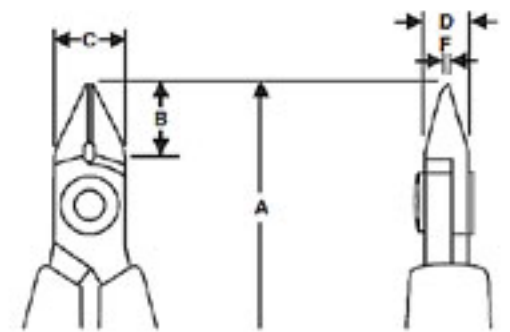
**Designed for Hard
Wire Applications**

7154TC Carbide Insert Cutter

- Carbide Insert Cutters suitable for hard wire materials such as Nitinol, Stainless Steel, Platinum and Titanium
- High performance alloy steel material provides strength and reliability
- Precision lap joint with screw minimizes friction while maximizing cutting edge and tip alignment
- ESD Safe, comfortable synthetic handles with return spring for smooth operation
- Polished, natural finish provides protection against oxidation
- Cutting capacity hard wire from 0.10 mm to 0.20 mm / 0.004 in to 0.016 in. And when tip cutting max 0.2 mm / 0.008 in
- 8154PSP designed for soft materials



Designed to Cut Guidewires, Catheters & Fine Trimming of Stents



Carbide Insert: ESD safe synthetic mono material with leaf springs



Part No.			A mm / in	B mm / in	C mm / in	D mm / in	F mm / in	Soft Wire Cap. mm / in	Hard Wire Cap. mm / in		
7154TC	Tapered	M	112.5 / 4.43	13.0 / 0.51	12.5 / 0.49	6.0 / 0.24	2.0 / 0.08	0.1-0.9 / 0.004-0.03	0.1-0.4 / 0.004-0.02	Flush	Dissipative
8154PSP	Tapered	M	112.5 / 4.43	13.0 / 0.51	12.5 / 0.49	6.0 / 0.24	2.0 / 0.08	0.2-1.6 / 0.01-0.06	-	Flush	Dissipative

Unique cutting heads developed together with specific end-user to solve critical applications

RX Series: Two-component ESD safe Ergo™ handles: Thermoplastic surface on tough polypropylene provides superior grip

- Micro-Touch™: The shape of the handles makes it possible to control and rotate the pliers between thumb and index finger for precision work
- Biospring reduces tension throughout the working cycle of the tool and can be adjusted in three different positions



Part No.			A mm / in	B mm / in	C mm / in	D mm / in	F mm / in	Soft Wire Cap. mm / in	Hard Wire Cap. mm / in		
RX8140M2	Oval	S	135.5 / 5.33	10.5 / 0.41	10.0 / 0.39	6.0 / 0.24	0.8 / 0.03	0.2-1.25 / 0.01-0.05	0.2-0.5 / 0.01-0.02	Micro-Bevel*	Dissipative
RX8150M2	Oval	M	138.0 / 5.43	13.0 / 0.51	12.5 / 0.49	6.0 / 0.24	1.2 / 0.05	0.3-1.6 / 0.01-0.06	0.2-0.8 / 0.01-0.03	Micro-Bevel*	Dissipative
RX8160M2	Oval	L	147.0 / 5.80	16.0 / 0.63	16.0 / 0.63	8.0 / 0.31	1.6 / 0.06	0.4-2.0 / 0.02-0.08	0.3-0.8 / 0.01-0.03	Micro-Bevel*	Dissipative

M2: ESD safe synthetic mono material with leaf springs



Part No.			A mm / in	B mm / in	C mm / in	D mm / in	F mm / in	Soft Wire Cap. mm / in	Hard Wire Cap. mm / in		
8140M2	Oval	S	110.0 / 4.33	10.0 / 0.39	10.0 / 0.39	6.0 / 0.24	0.8 / 0.03	0.2-1.25 / 0.01-0.05	0.2-0.5 / 0.01-0.02	Micro-Bevel*	Dissipative
8150M2	Oval	M	112.5 / 4.43	12.5 / 0.50	12.5 / 0.50	6.0 / 0.24	1.2 / 0.05	0.3-1.6 / 0.01-0.06	0.2-0.8 / 0.01-0.03	Micro-Bevel*	Dissipative
8160 M2	Oval	L	125.0 / 4.92	16.0 / 0.63	16.0 / 0.63	8.0 / 0.31	1.6 / 0.06	0.4-2.0 / 0.02-0.08	0.3-0.8 / 0.01-0.03	Micro-Bevel*	Dissipative

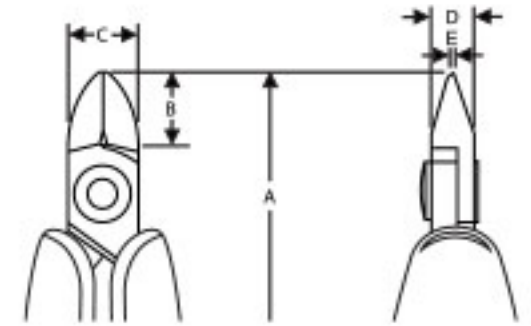


Performance Specific Series

- Sharp and fully aligned edges
- Numerically controlled machining guarantees edge angle accuracy and contact, increasing the tools reliability and consistency
- Produced using high performance alloy steel material provides strength and reliability
- Induction hardening technique and modified cutting edges deliver precise cuts
- Precision screw joint minimizes friction while maximizing cutting edge and tip alignment
- ESD safe, comfortable synthetic handles with return springs for smooth operation
- Phosphate finish provides protection against oxidation and reduces glare under illumination



Electrical & Electronic Medical Diagnostic Equipment and Instruments



RX Series: Two-component ESD safe Ergo™ handles: Thermoplastic surface on tough polypropylene provides superior grip

- **Micro-Touch™:** The shape of the handles makes it possible to control and rotate the pliers between thumb and index finger for precision work
- **Biospring** reduces tension throughout the working cycle of the tool and can be adjusted in three different positions



RX Series

Part No.			A mm / in	B mm / in	C mm / in	D mm / in	E mm / in	Soft Wire Cap. mm / in	Hard Wire Cap. mm / inch		
RX8140PS	Oval	S	135.5 / 5.33	10.5 / 0.41	10.0 / 0.39	6.0 / 0.24	0.8 / 0.03	0.2-1.25 / 0.01-0.05	0.2-0.5 / 0.01-0.02	Micro-Bevel*	Dissipative
RX8141PS	Oval	S	135.5 / 5.33	10.5 / 0.41	10.0 / 0.39	6.0 / 0.24	0.8 / 0.03	0.2-1.25 / 0.01-0.05	0.2-0.5 / 0.01-0.02	Flush	Dissipative
RX 8142PS	Oval	S	135.5 / 5.33	10.5 / 0.41	10.0 / 0.39	6.0 / 0.24	0.8 / 0.03	0.2-1.25 / 0.01-0.05	-	Ultra-Flush*	Dissipative
RX 8147PS	Tapered et Relieved	S	135.5 / 5.33	10.5 / 0.41	10.0 / 0.39	6.0 / 0.24	0.8 / 0.03	0.2-1.25 / 0.01-0.05	0.2-0.5 / 0.01-0.02	Flush	Dissipative
RX8150PS	Oval	M	138.0 / 5.43	12.5 / 0.50	12.5 / 0.50	6.0 / 0.24	1.2 / 0.05	0.3-1.6 / 0.01-0.06	0.2-0.8 / 0.01-0.03	Micro-Bevel*	Dissipative
RX8160BPS	Oval	L	147.0 / 5.80	16.0 / 0.63	16.0 / 0.63	8.0 / 0.31	1.6 / 0.06	0.3-2.0 / 0.01-0.08	0.3-0.8 / 0.01-0.03	Micro-Bevel*	Dissipative
RX 8161PS	Oval	L	147.0 / 5.80	16.0 / 0.63	16.0 / 0.63	8.0 / 0.31	1.6 / 0.06	0.3-2.0 / 0.01-0.08	0.3-0.8 / 0.01-0.03	Flush	Dissipative



PS Series

PS: ESD safe synthetic mono material with leaf springs

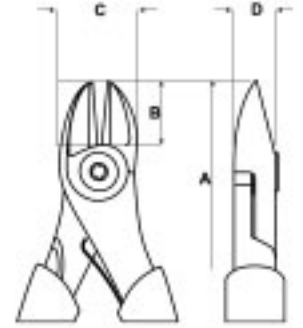
Part No.			A mm / in	B mm / in	C mm / in	D mm / in	E mm / in	Soft Wire Cap. mm / in	Hard Wire Cap. mm / inch		
8140PS	Oval	S	110.0 / 4.33	10.5 / 0.41	10.0 / 0.39	6.0 / 0.24	0.8 / 0.03	0.2-1.25 / 0.01-0.05	0.2-0.5 / 0.01-0.02	Micro-Bevel*	Dissipative
8141PS	Oval	S	110.0 / 4.33	10.5 / 0.41	10.0 / 0.39	6.0 / 0.24	0.8 / 0.03	0.2-1.25 / 0.01-0.05	0.2-0.5 / 0.01-0.02	Flush	Dissipative
RX 8142PS	Oval	S	110.0 / 4.33	10.5 / 0.41	10.0 / 0.39	6.0 / 0.24	0.8 / 0.03	0.1-1.0 / 0.00-0.04	-	Ultra-Flush*	Dissipative
RX 8147PS	Tapered & Relieved	S	110.5 / 4.33	10.0 / 0.39	10.0 / 0.39	6.0 / 0.24	0.8 / 0.03	0.1-1.0 / 0.01-0.04	-	Flush	Dissipative
8150PS	Oval	M	112.5 / 4.43	12.5 / 0.50	12.5 / 0.50	6.0 / 0.24	1.2 / 0.05	0.3-1.6 / 0.01-0.06	0.2-0.8 / 0.01-0.03	Micro-Bevel*	Dissipative
8160PS	Oval	L	125.0 / 4.92	16.0 / 0.63	16.0 / 0.63	8.0 / 0.31	1.6 / 0.06	0.3-2.0 / 0.01-0.08	0.3-0.8 / 0.01-0.03	Micro-Bevel*	Dissipative
RX8160BPS	Oval	L	125.0 / 4.92	16.0 / 0.63	16.0 / 0.63	10.0 / 0.31	1.6 / 0.06	0.4-2.0 / 0.02-0.08	0.3-0.8 / 0.01-0.03	Micro-Bevel*	Dissipative
8161PS	Oval	L	125.0 / 4.92	16.0 / 0.63	16.0 / 0.63	8.0 / 0.31	1.6 / 0.06	0.3-2.0 / 0.01-0.08	0.3-0.8 / 0.01-0.03	Flush	Dissipative

ERGO™ Precision Diagonal Plastic Cutters

- Developed according to the ERGO® process for a comfortable and effective grip in all situations
- Rivet joint that minimizes friction and maximizes jaw alignment
- ESD safe handles in 2-component synthetic material
- On/off spring enables reduced profile for easy storage
- Extremely strong construction for long lasting performance
- Designed to produce a Flush cut result on plastic, nylon and cabled wire applications



For plastic, solid and braided copper wire applications



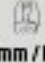
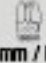




Flush



ERGO Side Cutter

ERGO Side Cutter: Two-component ESD safe Ergo™ handles: Thermoplastic surface on tough polypropylene provides superior grip

Part No.			A mm / in	B mm / in	C mm / in	D mm / in				
P6160	Oval	L	160.0 / 6.3	18.0 / 0.7	21.5 / 0.85	10.0 / 0.39	1.5 / 0.059	3.0 / 0.118	Flush	162

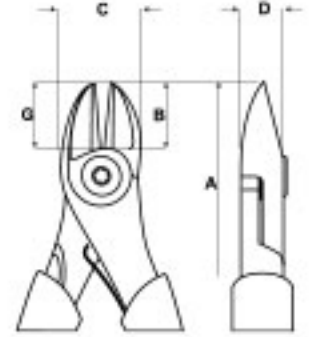


Heavy Duty Diagonal Cutters

- Developed according to the ERGO® process for a comfortable and effective grip in all situations
- Progressive bevel cutting edge: The cutting bevel progresses along the edge in order to cut soft and thin material at the tip. Hard and thick material close to the joint
- Rivet joint minimizes friction and maximizes jaw alignment
- Cutting edges hardened to 63–65 HRC for durable performance
- High leverage joint to reduce cutting force
- Equipped with a return spring featuring an on/off function
- High performance alloy steel
- Black Oxide finish and anti-corrosion treated



Progressive Bevel technology for both soft and hard wire applications



Flush



Progressive Micro-Bevel cutting edge

ergo



RX Series

Part No.			A mm / in	B mm / in	C mm / in	D mm / in					
TRX 8180	Oval	L	210.0 / 8.26	21.0 / 0.82	29.0 / 1.141	11.0 / 0.433	4.5 / 0.177	3.0 / 0.118	2.5 / 0.10	Progressive Bevel	304



THE BEST SHEAR CUTTERS YOU WILL EVER OWN



PRECISION SHEAR CUTTERS



EDGE: A new line of precision shear cutters made by Lindström

Lindström has maintained an edge over the competition thanks to our focus on quality, technical know-how, customer service and commitment to innovation and technology for more than 160 years.

One such example are Lindström's original diagonal precision cutters, our highest-quality precision tools and the best on the market. Now, we are channelling this expertise into our newest line of shear cutters, EDGE, manufactured in the state-of-the-art Lindström facilities in Spain.

With our diverse end users in mind, we have maintained our commitment to quality to develop this more affordable line of durable, multipurpose shear cutters. Designed to meet the daily needs of professionals working in electronics, jewellery, watchmaking, precision engineering, fine mechanics and general industries, everyone from artisans to engineers can execute precise cuts and push the potential of their work.



The sharp cutting edges bypass each other by a mere 0.2 mm as they cut the work piece thanks to the **EDGE shear misalignment technology**.

Lightweight and ergonomic design featuring an opening limiter to ensure smooth movements that help minimise hand fatigue.

Designed and built to last, the EDGE shear cutters are available in **high-performance alloy steel** for excellent durability, and in **stainless steel** for long-lasting, corrosion-resistant use.



Multipurpose shear cutters suitable for cutting:

- Copper wire
- Silver, bronze, gold
- Standard steel
- Plastics
- Glass fibre cables
- Insulated cables
- Ties
- Corded material of all types
- Fish bones (6152SS)

A phosphate body and zinc flake-coated return spring to ensure the **highest protection against corrosion**.

Bi-material handles that are soft and comfortable to the touch, perfect for prolonged use. Suitable for all applications, including electronics, thanks to the ESD safe insulation. Don't compromise, get all the best features in one shear cutter!



Micro EDGE cut



Flush EDGE cut



Dura Shear

Tapered Head



Accu Shear

Tapered Head



Inox Shear

Tapered Head

STAINLESS STEEL BODY



Peak Shear

Pointy Head

EXTRA SLIM



Angle Shear

Oblique Head

60° CUTTING ANGLE

The EDGE line of shear cutters

TAPERED HEAD

Dura Shear | 6151

The EDGE Dura Shear Cutters offer durability like no other. Their machine-ground symmetrical edge angles with bevels deliver a consistent Micro EDGE cut result, suitable for fine cutting work on sensitive electronics and precious metals, with a tapered head that facilitates access to compact spaces.



Accu Shear | 6152

The EDGE Accu Shear Cutters are the ultimate cutting tool for executing precise cuts, designed by experts for working with the finest and most precious materials. The by-pass cutting technology produces an extremely clean, flush cut of the workpiece, thanks to the unique EDGE shear misalignment of the induction-hardened cutting blades with non-bevelled edges.



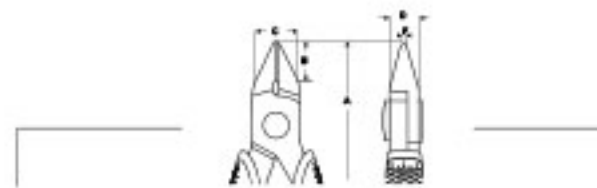
Perfect for jewellery, watchmaking, fine mechanics, radio technicians, industrial electricians, mechatronics engineers and electronics engineers.

Inox Shear | 6152SS

The EDGE Inox Shear Cutters are the ideal cutting tool for working in cleanrooms. The 6152SS shear cutters are corrosion and wear resistant, making them the perfect choice for applications that require sterilised instruments. Achieve extremely clean, flush cuts thanks to the unique EDGE shear misalignment of the induction-hardened cutting blades with non-bevelled edges.



Perfect for cleanrooms, pharmaceutical industries, medical device manufacturing and the fish industry.



Part No.	Model			A mm / in	B mm / in	C mm / in	D mm / in	F mm / in				
6151	Dura Shear	Tapered	M	134 / 5.28	14 / 0.55	15.0 / 0.59	5.0 / 0.20	1.0 / 0.04	0.2-1.6 / 0.01-0.06	Micro EDGE	55	Dissipative
6152	Accu Shear	Tapered	M	134 / 5.28	14 / 0.55	15.0 / 0.59	5.0 / 0.20	1.0 / 0.04	0.2-1.6 / 0.01-0.06	Flush EDGE	55	Dissipative
6152SS	Inox Shear	Tapered	M	134 / 5.28	14 / 0.55	15.0 / 0.59	5.0 / 0.20	1.0 / 0.04	0.2-1.6 / 0.01-0.06	Flush EDGE	58	Dissipative

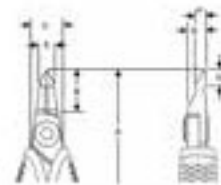


POINTY HEAD

Peak Shear | 6159

The EDGE Peak Shear Cutters offer outstanding accessibility for applications ranging from microscopy to micro-electronics applications. This model's unique, pointy head, symmetrical tips and non-bevelled blades provide maximum access and reach and allow users to get underneath delicate components and execute Flush EDGE cuts on hard-to-access wires.

Perfect for fine mechanics, industrial electricians, mechatronics engineers and micro-electronics specialists.



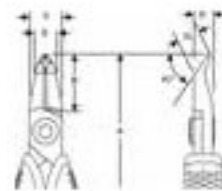
Part No.	Model			A mm / in	B mm / in	C mm / in	D mm / in	E mm / in	G mm / in	H mm / in				
6159	Peak Shear	Pointy	M	134 / 5.28	14 / 0.55	12.8 / 0.50	5.0 / 0.20	1.0 / 0.04	5.0 / 0.23	3.2 / 0.13	0.2-1.0 / 0.01-0.039	Flush EDGE	54	Dissipative

OBLIQUE HEAD

Angle Shear | 6258

The EDGE Angle Shear Cutters are the ideal tool for rework and close assembly cutting in electronics, allowing users to cut both horizontally and vertically. The 60° angle of the oblique head offers increased reach, visibility and accessibility under and between low-profile, fine-pitch components, ideal for assembly and rework where accessibility is a priority, such as printed circuit boards.

Perfect for industrial electricians, mechatronics engineers, electronics engineers.



Part No.	Model			A mm / in	B mm / in	C mm / in	D mm / in	E mm / in	G mm / in				
6258	Angle Shear	Oblique	M	130 / 5.12	10 / 0.39	15.0 / 0.59	6.3 / 0.25	1.0 / 0.04	6.7 / 0.26	0.2-1.0 / 0.01-0.039	Flush EDGE	55	Dissipative

Multipurpose Shear

- User-friendly, durable and fits comfortably in either hand
- High carbon steel blades with a hardness of 57–59 HRC
- Serrations on one cutting edge to prevent the material being cut from sliding away (HS6000)
- Precision screw joint that minimizes friction and maximizes alignment of cutting edges
- ESD safe non-slip, foam cushioned grips



Ideal for cutting Kevlar, insulation, cables, cable ties, and corded material of all types



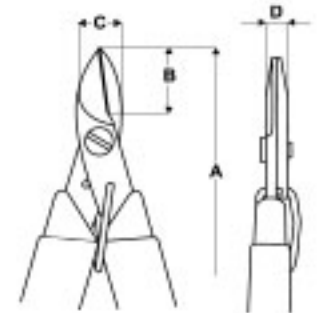
Flush



Smooth



Serrated



HS Series

Part No.			A mm / in	B mm / in	D mm / in				Ω
HS6000	Serrated-Jaws	L	145.0 / 5.7	29.0 / 1.1	6.4 / 0.2	Serrated	Kevlar	88	Dissipative
HS6001	Smooth-Jaws	L	145.0 / 5.7	29.0 / 1.1	6.4 / 0.2	Smooth	Kevlar	88	Dissipative



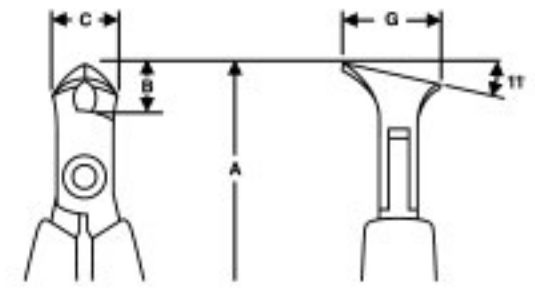
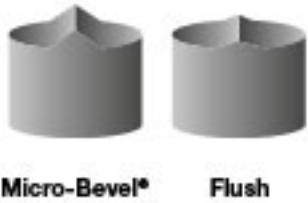
Oblique Cutters

11° Oblique Head

- Precision screw joint minimizes friction and maximizes alignment of cutting edges
- Precision induction hardened cutting edges 63–65 HRC
- Material: High performance alloy steel
- Cutting capacity is listed for solid copper wire
- Natural finish



• Durable, robust cutting blade design
 11 Degree angle ideal for confined space access
 Excellent for rework and close assembly applications •



Supreme Series: ESD safe synthetic mono material with leaf springs

Natural finish



Part No.			A mm / In	B mm / In	C mm / In	G mm / In	 mm / In		 g	 Ω
7290	End	S	108.0 / 4.25	8.0 / 0.31	10.5 / 0.41	15.0 / 0.59	0.35-1.25 / 0.01-0.05	Micro-Bevel*	56	Dissipative
7291	End	S	108.0 / 4.25	8.0 / 0.31	10.5 / 0.41	15.0 / 0.59	0.35-1.25 / 0.01-0.05	Flush	56	Dissipative



Miniature End Cutter

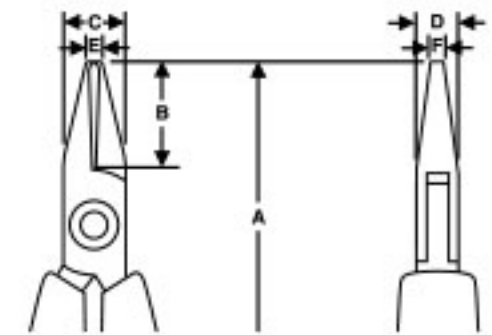
- Precision screw joint minimizes friction and maximizes alignment of cutting edges
- Precision induction hardened cutting edges 63–65 HRC
- Material: High performance alloy steel
- Cutting capacity is listed for solid copper wire
- Natural finish



• Miniature head ideal for use in confined spaces
Thin and short head for extra accessibility



Flush



Supreme Series: ESD safe synthetic mono material with leaf springs

Natural finish



Supreme Series

Part No.			A mm / in	B mm / in	C mm / in	D mm / in	E mm / in	F mm / in				
7292	Fin	S	117.5 / 4.53	16.5 / 0.59	9.0 / 0.35	6.0 / 0.24	3.2 / 0.13	4.0 / 0.16	0.35-0.8 / 0.01-0.03	Flush	10	Dissipative

Thin Tip: FOR EXTRA ACCESSIBILITY



Part No.			A mm / in	B mm / in	C mm / in	D mm / in	E mm / in	F mm / in				
7292G	Fin	S	117.5 / 4.53	16.4 / 0.59	9.0 / 0.35	6.0 / 0.24	2.8 / 0.09	4.0 / 0.16	0.35-0.8 / 0.01-0.03	Flush	10	Dissipative

Unique cutting heads developed together with specific end-user to solve critical applications

11° Oblique End Cutter, Short Blade

- Precision screw joint minimizes friction and maximizes alignment of cutting edges
- Precision induction hardened cutting edges 63–65 HRC
- Material: High performance alloy steel
- Cutting capacity is listed for solid copper wire
- Black Oxide finish

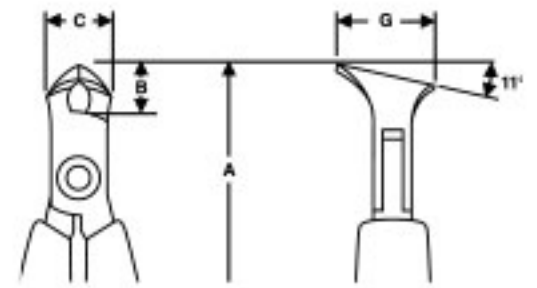


*Durable, robust cutting blade design
11 Degree angle ideal for confined
space access*

*Excellent for rework and close
assembly applications*



Flush



Supreme Series: ESD safe synthetic mono material with leaf springs
Natural finish



Supreme Series

Part No.			A mm / in	B mm / in	C mm / in	G mm / in				
7293	End	S	108 / 4.25	8.0 / 0.31	10.5 / 0.41	8.0 / 0.31	0.35-1.0 / 0.01-0.04	Flush	56	Dissipative



20° Short Head

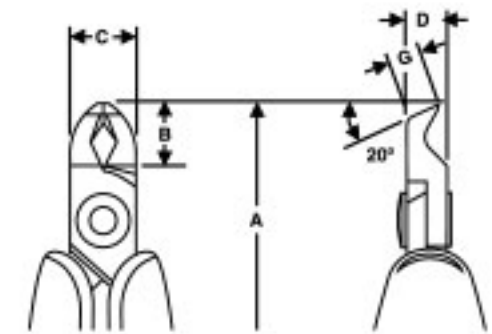
- Precision screw joint minimizes friction and maximizes alignment of cutting edges
- Precision induction hardened cutting edges 63–65 HRC
- Material: High performance alloy steel
- Cutting capacity is listed for solid copper wire
- Black Oxide finish



☞ Ideal for assembly and rework where accessibility is a consideration ☜



Flush



RX Series: Two-component ESD safe Ergo™ handles: Thermoplastic surface on tough polypropylene provides superior grip

- Micro-Touch™: The shape of the handles makes it possible to control and rotate the pliers between thumb and index finger for precision work
- Biospring reduces tension throughout the working cycle of the tool and can be adjusted in three different positions



Part No.			A mm / in	B mm / in	C mm / in	D mm / in	G mm / in				
RX 8211	Angle 20°	S	134.5 / 5.29	9.5 / 0.37	10.0 / 0.39	6.0 / 0.24	4.1 / 0.16	0.2-1.2 / 0.01-0.05	Flush	70	Dissipative

80 Series: ESD safe synthetic mono material with leaf springs



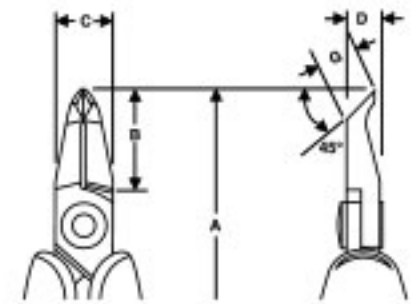
Part No.			A mm / in	B mm / in	C mm / in	D mm / in	G mm / in				
8211	Angle 20°	S	110.0 / 4.33	9.5 / 0.37	10.0 / 0.39	6.0 / 0.24	4.1 / 0.16	0.2-1.2 / 0.01-0.05	Flush	43	Dissipative

45° TAPERED HEAD

- Precision screw joint minimizes friction and maximizes alignment of cutting edges
- Precision induction hardened cutting edges 63–65 HRC
- Material: High performance alloy steel
- Cutting capacity is listed for solid copper wire
- Black Oxide finish



☀️ *Ideal for assembly and rework where accessibility is a consideration* ☀️



RX Series: Two-component ESD safe Ergo™ handles: Thermoplastic surface on tough polypropylene provides superior grip

- Micro-Touch™: The shape of the handles makes it possible to control and rotate the pliers between thumb and index finger for precision work
- Biospring reduces tension throughout the working cycle of the tool and can be adjusted in three different positions



Part No.			A mm / In	B mm / In	C mm / In	D mm / In	G mm / In				
RX 8247	Angle 45°	S	143.0 / 5.63	18.0 / 0.71	10.0 / 0.39	6.0 / 0.24	6.7 / 0.26	0.2-1.0 / 0.01-0.04	Flush	72	Dissipative

80 Series: ESD safe synthetic mono material with leaf springs

Part No.			A mm / In	B mm / In	C mm / In	D mm / In	G mm / In				
8247	Angle 45°	S	117.5 / 4.63	18.0 / 0.71	10.0 / 0.39	6.0 / 0.24	6.7 / 0.26	0.2-1.0 / 0.01-0.04	Flush	51	Dissipative
8247 CO	Angle 45°	S	117.5 / 4.63	18.0 / 0.71	10.0 / 0.39	6.0 / 0.24	6.7 / 0.26	0.2-1.0 / 0.01-0.04	Flush	51	Conductive





45° TAPERED & RELIEVED HEAD

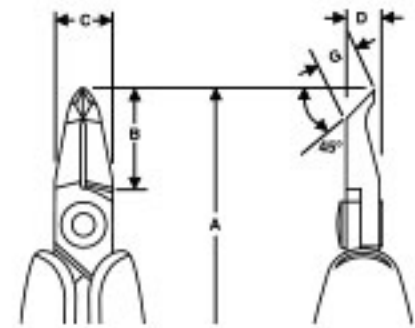
- Precision screw joint minimizes friction and maximizes alignment of cutting edges
- Precision induction hardened cutting edges 63–65 HRC
- Material: High performance alloy steel
- Cutting capacity is listed for solid copper wire
- Black Oxide finish



Oblique Cutter with a 45° Angle



☀️ *Ideal for assembly and rework where accessibility is a consideration* ☀️



RX Series: Two-component ESD safe Ergo™ handles: Thermoplastic surface on tough polypropylene provides superior grip

- Micro-Touch™: The shape of the handles makes it possible to control and rotate the pliers between thumb and index finger for precision work
- Biospring reduces tension throughout the working cycle of the tool and can be adjusted in three different positions



RX Series

Part No.			A mm / in	B mm / in	C mm / in	D mm / in	G mm / in				
RX 8248	Angle 45°	S	143.0 / 5.63	18.0 / 0.71	10.0 / 0.39	6.0 / 0.24	6.7 / 0.26	0.2-0.8 / 0.01-0.03	Flush	72	Dissipative



80 Series

80 Series: ESD safe synthetic mono material with leaf springs

Part No.			A mm / in	B mm / in	C mm / in	D mm / in	G mm / in				
8248	Angle 45°	S	117.5 / 4.63	18.0 / 0.71	10.0 / 0.39	6.0 / 0.24	6.7 / 0.26	0.2-0.8 / 0.01-0.03	Flush	51	Dissipative
8249	Angle 45°	S	117.5 / 4.63	18.0 / 0.71	10.0 / 0.39	6.0 / 0.24	6.4 / 0.25	0.2-0.8 / 0.01-0.03	Flush	51	Dissipative
8248 CO	Angle 45°	S	117.5 / 4.63	18.0 / 0.71	10.0 / 0.39	6.0 / 0.24	6.7 / 0.26	0.2-0.8 / 0.01-0.03	Flush	51	Conductive

Lindström



Unique Head

80 Series: EXTRA LONG HEAD

Part No.			A mm / in	B mm / in	C mm / in	D mm / in	G mm / in				
8248Q	Angle 45°	S	117.5 / 4.63	18.0 / 0.71	10.0 / 0.39	6.0 / 0.24	7.5 / 0.29	0.2-0.8 / 0.00-0.03	Ultra-Flush*	51	Dissipative

Unique cutting heads developed together with specific end-user to solve critical applications

Reverse Angle

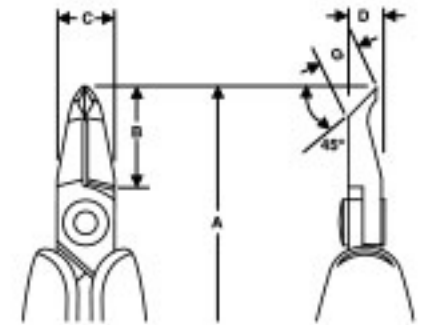
- Precision screw joint minimizes friction and maximizes alignment of cutting edges
- Precision induction hardened cutting edges 63–65 HRC
- Material: High performance alloy steel
- Cutting capacity is listed for solid copper wire
- Black Oxide finish



Ideal for assembly work where accessibility is a consideration



Flush



Supreme Series: ESD safe mono material handles in synthetic material with leaf springs

Natural finish



Supreme Series

Part No.			A mm / in	B mm / in	C mm / in	D mm / in	G mm / in				
7280	Angle 45°	S	120.0 / 4.72	20.0 / 0.79	9.0 / 0.35	6.0 / 0.24	3.5 / 0.14	0.2-08 / 0.01-0.03	Flush	56	Dissipative

Supreme Series: ESD safe mono material handles in synthetic material with leaf springs

Natural finish



Supreme Series

Part No.			A mm / in	B mm / in	C mm / in	D mm / in	G mm / in				
7285	Angle 45°	S	120.0 / 4.72	20.0 / 0.79	9.0 / 0.35	6.0 / 0.24	6.0 / 0.26	0.2-1.0 / 0.01-0.04	Flush	56	Dissipative



Tip & Micro Tip Cutters

Tip Cutter

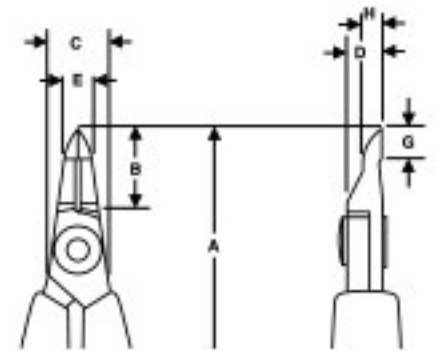
- Precision screw joint minimizes friction and maximizes alignment of cutting edges
- Precision induction hardened cutting edges 63–65 HRC
- Material: High performance alloy steel
- Cutting capacity is listed for solid copper wire
- Black Oxide finish



Ideal for use on multi-lead components and rework



Flush



RX Series: Two-component ESD safe Ergo™ handles: Thermoplastic surface on tough polypropylene provides superior grip

- Micro-Touch™: The shape of the handles makes it possible to control and rotate the pliers between thumb and index finger for precision work
- Biospring reduces tension throughout the working cycle of the tool and can be adjusted in three different positions



RX Series

Part No.			A mm / in	B mm / in	C mm / in	D mm / in	E mm / in	G mm / in			
RX 8149	Tip Cutter	S	139.0 / 5.47	14.0 / 0.55	5.0 / 0.23	6.0 / 0.24	5.0 / 0.23	5.0 / 0.23	Flush	70	Dissipative

80 Series: ESD safe synthetic mono material with leaf springs



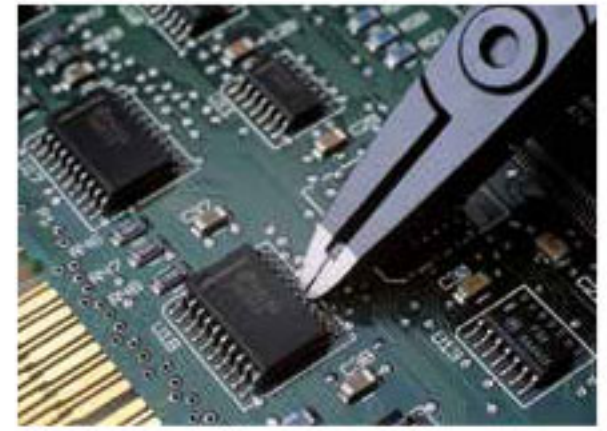
80 Series

Part No.			A mm / in	B mm / in	C mm / in	D mm / in	E mm / in	G mm / in			
8149	Tip Cutter	S	114.0 / 4.49	14.0 / 0.55	5.0 / 0.23	6.0 / 0.24	5.0 / 0.23	5.0 / 0.23	Flush	48	Dissipative



Micro Tip Cutter

- Developed according to the ERGO® process for a comfortable and effective grip in all situations
- Material: High performance alloy steel
- Precision induction hardened edges 63–65 HRC
- ESD safe handles in 2-component synthetic material
- Precision screw joint minimizes friction and maximizes alignment of cutting edges
- Cutting capacity listed is for solid copper wire
- Black Oxide finish



RX 8233A



RX 8234A

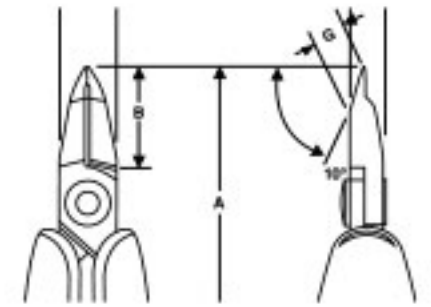


RX 8237A

Ideal for rework and close fine pitch applications



Flush



RX8233A, RX8234A

RX Series: Two-component ESD safe Ergo™ handles: Thermoplastic surface on tough polypropylene provides superior grip

- Micro-Touch™: The shape of the handles makes it possible to control and rotate the pliers between thumb and index finger for precision work
- Biospring reduces tension throughout the working cycle of the tool and can be adjusted in three different positions



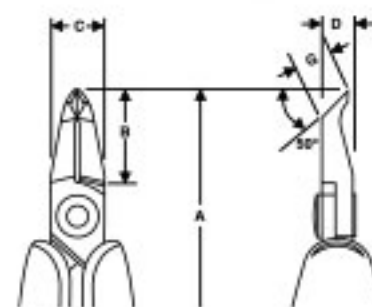
RX Series

Part No.			A mm / In	B mm / In	C mm / In	D mm / In	G mm / In				
RX8233A	Micro Tip 10°	XS	149.0 / 5.9	22.3 / 0.87	10.6 / 0.41	7.0 / 0.27	7.2 / 0.28	0.1-0.6 / 0.004-0.024	A Ras	69	Disipativo



RX Series

Part No.			A mm / In	B mm / In	C mm / In	D mm / In	G mm / In				
RX8234A	Micro Tip 10°	XS	141.0 / 4.50	14.2 / 0.56	10.6 / 0.41	7.0 / 0.27	3.2 / 0.12	0.05-0.4 / 0.002-0.018	A Ras	62	Disipativo



RX8237A



RX Series

Part No.			A mm / In	B mm / In	C mm / In	D mm / In	G mm / In				
RX8237A	Micro Tip 50°	XS	144.0 / 5.6	17.4 / 0.69	10.6 / 0.41	7.0 / 0.27	4.1 / 0.16	0.1-0.5 / 0.004-0.02	A Ras	65	Disipativo



havasis

Precision Holding Pliers

Flat Nose

- Precision screw joint that minimizes friction and maximizes alignment of cutting edges
- Polished and tough hardened 55-58 HRC
- Material: High performance alloy steel
- Natural finish



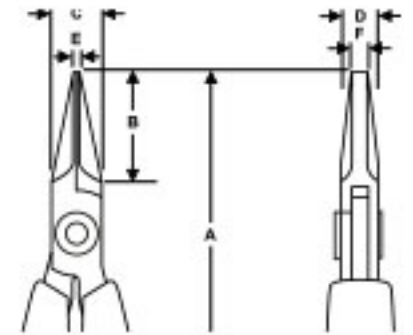
- Flat square shape with parallel jaws provide the best surface area of standard pliers shapes
- Favored by chainmaille artists



Smooth



Flat Nose



RX Series: Two-component ESD safe Ergo™ handles: Thermoplastic surface on tough polypropylene provides superior grip

- Micro-Touch™: The shape of the handles makes it possible to control and rotate the pliers between thumb and index finger for precision work
- Biospring reduces tension throughout the working cycle of the tool and can be adjusted in three different positions

ergo™



RX Series

Part No.			A mm / in	B mm / in	C mm / in	D mm / in	F mm / in				
RX 7390	Flat Nose Stubby	S	137.0 / 5.40	11.0 / 0.43	10.0 / 0.39	6.0 / 0.24	6.0 / 0.24	0.8 / 0.07	Smooth	70	Dissipative
RX 7392	Oblique, Stubby	S	137.0 / 5.40	12.0 / 0.48	10.0 / 0.39	6.0 / 0.24	6.0 / 0.24	1.6 / 0.07	Smooth	70	Dissipative
RX 7490	Flat Nose	S	146.5 / 5.77	20.0 / 0.79	9.0 / 0.35	6.0 / 0.24	1.2 / 0.05	3.2 / 0.12	Smooth	70	Dissipative

Supreme Series: ESD safe synthetic mono material with leaf springs

Supreme Series

Part No.			A mm / in	B mm / in	C mm / in	D mm / in	F mm / in				
7490	Flat Nose	S	120.0 / 4.72	20.0 / 0.79	9.0 / 0.35	6.0 / 0.24	1.2 / 0.05	3.2 / 0.13	Smooth	70	Dissipative
7490 CO	Flat Nose	S	120.0 / 4.72	20.0 / 0.79	9.0 / 0.35	6.0 / 0.24	1.2 / 0.05	3.2 / 0.13	Smooth	53	Conductive

Round Nose

- Precision screw joint that minimizes friction and maximizes alignment of cutting edges
- Polished and tough hardened 55-58 HRC
- Material: High performance alloy steel
- Natural finish



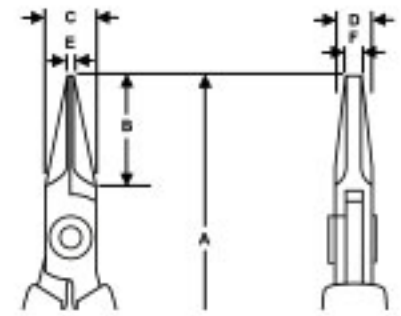
- Round jaws taper from 7 mm to 1.0 mm at the tips
- Handy for closing loops and the finest wire work



Smooth



Round Nose



RX Series: Two-component ESD safe Ergo™ handles: Thermoplastic surface on tough polypropylene provides superior grip

- Micro-Touch™: The shape of the handles makes it possible to control and rotate the pliers between thumb and index finger for precision work
- Biospring reduces tension throughout the working cycle of the tool and can be adjusted in three different positions



Part No.			A mm / in	B mm / in	C mm / in	D mm / in	E mm / in	F mm / in			
RX 7590	Round Nose	S	146.5 / 5.77	20.0 / 0.79	9.0 / 0.35	6.0 / 0.24	1.4 / 0.055	0.7 / 0.027	Smooth	69	Dissipative

Supreme Series: ESD safe synthetic mono material with leaf springs



Part No.			A mm / in	B mm / in	C mm / in	D mm / in	E mm / in	F mm / in			
7590	Round Nose	S	120.0 / 4.72	20.0 / 0.79	9.0 / 0.35	6.0 / 0.24	1.4 / 0.055	0.7 / 0.027	Smooth	69	Dissipative
7591	Round Nose	S	128.1 / 5.04	30.0 / 1.18	9.0 / 0.35	6.0 / 0.24	1.8 / 0.070	0.9 / 0.035	Smooth	69	Dissipative
7590 CO	Round Nose	S	120.0 / 4.72	20.0 / 0.79	9.0 / 0.35	6.0 / 0.24	1.4 / 0.055	0.7 / 0.027	Smooth	54	Conductive



Chain Nose

- Precision screw joint that minimizes friction and maximizes alignment of cutting edges
- Polished and tough hardened 55-58 HRC
- Material: High performance alloy steel
- Natural finish



Designed to bend wire, these tips align like D-shaped pinchers



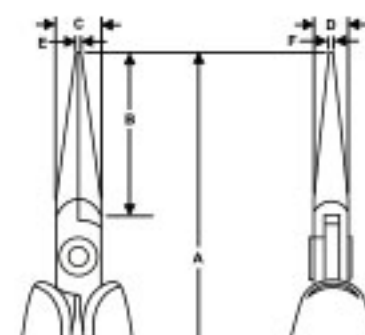
Smooth



Serrated



Chain Nose



RX Series: Two-component ESD safe Ergo™ handles: Thermoplastic surface on tough polypropylene provides superior grip

- Micro-Touch™: The shape of the handles makes it possible to control and rotate the pliers between thumb and index finger for precision work
- Biospring reduces tension throughout the working cycle of the tool and can be adjusted in three different positions

ergo™



RX Series

Part No.			A mm / In	B mm / In	C mm / In	D mm / In	E mm / In	F mm / In			Ω
RX 7890	Chain Nose	S	158.5 / 6.24	32.0 / 1.26	9.0 / 0.35	6.0 / 0.24	1.2 / 0.05	0.8 / 0.03	Smooth	72	Dissipative
RX 7891	Chain Nose	S	158.5 / 6.24	32.0 / 1.26	9.0 / 0.35	6.0 / 0.24	1.2 / 0.05	0.8 / 0.03	Serrated	72	Dissipative

Supreme Series: ESD safe synthetic mono material with leaf springs

Supreme Series

Part No.			A mm / In	B mm / In	C mm / In	D mm / In	E mm / In	F mm / In			Ω
7890	Chain Nose	M	132.0 / 5.20	32.0 / 1.26	9.0 / 0.35	6.0 / 0.24	1.2 / 0.05	0.8 / 0.03	Smooth	72	Dissipative
7891	Chain Nose	M	132.0 / 5.20	32.0 / 1.26	9.0 / 0.35	6.0 / 0.24	1.2 / 0.05	0.8 / 0.03	Serrated	72	Dissipative
7890 CO	Chain Nose	M	132.0 / 5.20	32.0 / 1.26	9.0 / 0.35	6.0 / 0.24	1.2 / 0.05	0.8 / 0.03	Smooth	60	Conductive
7891 CO	Chain Nose	M	132.0 / 5.20	32.0 / 1.26	9.0 / 0.35	6.0 / 0.24	1.2 / 0.05	0.8 / 0.03	Serrated	59	Conductive



Bent Nose

- 60° Bent Tip Snipe Nose Pliers with Dual-Component Synthetic Handle
- Precision screw joint that minimizes friction and maximizes alignment of cutting edges
- Polished and tough hardened 55-58 HRC
- Material: High performance alloy steel
- Natural finish



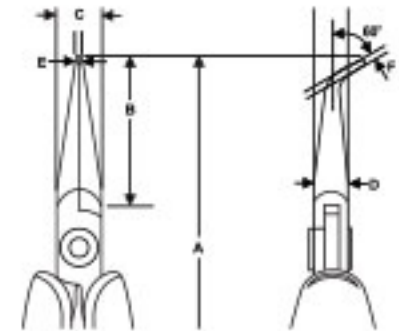
- Classic variation of the chain nose, with 60° bend at the tips
- Suited for positioning components or precise chain work



Smooth



Bent Nose



RX Series: Two-component ESD safe Ergo™ handles: Thermoplastic surface on tough polypropylene provides superior grip

- Micro-Touch™: The shape of the handles makes it possible to control and rotate the pliers between thumb and index finger for precision work
- Biospring reduces tension throughout the working cycle of the tool and can be adjusted in three different positions



RX Series

Part No.			A mm / In	B mm / In	C mm / In	D mm / In	E mm / In	F mm / In			
RX 7892	Bent Nose	M	155.5 / 6.12	29.0 / 1.14	9.0 / 0.35	6.0 / 0.24	1.2 / 0.05	0.8 / 0.03	Smooth	73	Dissipative



Supreme Series

Supreme Series: ESD safe synthetic mono material with leaf springs

Part No.			A mm / In	B mm / In	C mm / In	D mm / In	E mm / In	F mm / In			
7892	Bent Nose	M	129.0 / 5.08	29.0 / 1.14	9.0 / 0.35	6.0 / 0.24	1.2 / 0.05	0.8 / 0.03	Smooth	73	Dissipative
7892 CO	Bent Nose	M	129.0 / 5.08	29.0 / 1.14	9.0 / 0.35	6.0 / 0.24	1.2 / 0.05	0.8 / 0.03	Smooth	73	Conductive

Snipe Nose

- ERGO™ Short Snipe Nose Pliers with Dual-Component Synthetic Handle
- Developed according to the ERGO® process for a comfortable and effective grip in all situations
- Material: High performance alloy steel
- Polished and tough hardened 55-58 HRC
- Precision screw joint that minimizes friction and maximizes alignment of jaw alignment



- Shorter version of the chain nose, with the best gripping strength
- Used where power and torsion are paramount for the application



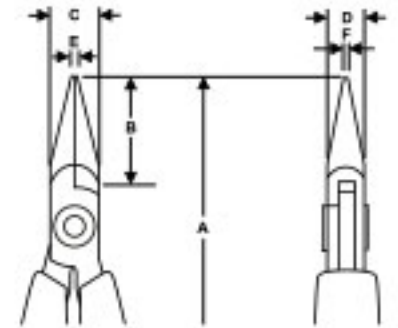
Smooth



Serrated



Chain Nose



RX Series: Two-component ESD safe Ergo™ handles: Thermoplastic surface on tough polypropylene provides superior grip

- Micro-Touch™: The shape of the handles makes it possible to control and rotate the pliers between thumb and index finger for precision work
- Biospring reduces tension throughout the working cycle of the tool and can be adjusted in three different positions



RX Series

Part No.			A mm / in	B mm / in	C mm / in	D mm / in	E mm / in	F mm / in			
RX 7893	Snipe Nose, Short	S	146.5 / 5.77	20.0 / 0.79	9.0 / 0.35	6.0 / 0.24	1.2 / 0.05	0.8 / 0.03	Lisa	71	Disipativo

Supreme Series: ESD safe synthetic mono material with leaf springs



Supreme Series

Part No.			A mm / in	B mm / in	C mm / in	D mm / in	E mm / in	F mm / in			
7893	Snipe Nose, Short	S	120.0 / 4.72	20.0 / 0.79	9.0 / 0.35	6.0 / 0.24	1.2 / 0.05	0.8 / 0.03	Lisa	56	Disipativo
7893K	Snipe Nose, Short	S	120.0 / 4.72	20.0 / 0.79	9.0 / 0.35	6.0 / 0.24	1.2 / 0.05	0.8 / 0.03	Dentada	56	Disipativo

Needle Nose

- ERGO™ Short Needle Nose Pliers with Dual-Component Synthetic Handle
- Developed according to the ERGO® process for a comfortable and effective grip in all situations
- Material: High performance alloy steel
- Polished and tough hardened 55-58 HRC
- Precision screw joint that minimizes friction and maximizes alignment of jaw alignment



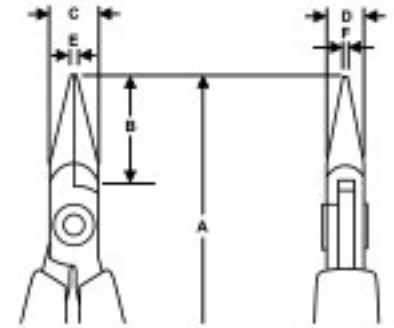
RX / HS / 7894
58mm long jaws for
fine wire work



Smooth



Bent Nose



RX Series: Two-component ESD safe Ergo™ handles: Thermoplastic surface on tough polypropylene provides superior grip

- Micro-Touch™: The shape of the handles makes it possible to control and rotate the pliers between thumb and index finger for precision work
- Biospring reduces tension throughout the working cycle of the tool and can be adjusted in three different positions



RX Series

Part No.			A mm / in	B mm / in	C mm / in	D mm / in	E mm / in	F mm / in			
RX 7894	Needle Nose	L	158.5 / 6.24	32.0 / 1.26	9.0 / 0.35	6.0 / 0.24	1.2 / 0.05	0.8 / 0.03	Smooth	70	Dissipative

Supreme Series: ESD safe synthetic mono material with leaf springs



Supreme Series

Part No.			A mm / in	B mm / in	C mm / in	D mm / in	E mm / in	F mm / in			
7894	Needle Nose	L	132.0 / 5.20	32.0 / 1.26	9.0 / 0.35	6.0 / 0.24	1.2 / 0.05	0.8 / 0.03	Smooth	56	Dissipative



Unique Tools For Every Situation

Lindström customers are innovators, pushing the envelope, developing new technologies and building new industries. When presented with a need to prepare prototypes, insert or extract unique components, or cut proprietary hard wire, our customers turn to Lindström for Specially Engineered Tools.

Lindström has developed tools used in specialized applications for the largest names in medical device manufacturing and for small start-up companies developing new technology. Every project receives the same attention to detail for a tool that is right for the job at hand.

To make the process easy Lindström has no minimum order quantity for Specially Engineered Tools. Our tool designers and manufacturers representatives work directly with production engineers to ensure success. We thrive on solving problems with our customers.

Join our www.Lindströmtools.com website in the Customize area to develop your product together with us. You can also contact one of our authorized distributors all over the world or Lindström manufacturers representatives to discuss your special tool requirements.

The Lindström Design Process

The Lindström staff can design special application tools by working with “before” and “after” components, engineering drawings, or prototypes. We even build tools drawn on the back of a napkin. It’s that easy!



A customer provides an idea for a specially engineered transistor tool.



Every project begins with a blank tool.



Tools featured in this section are a small sample of over 1,500 different designs that we have manufactured so far. Several handle options are available on Specially Engineered Tools.



8154PSP precisely trims catheters.



RX331A-31 bend and cut pliers create precise two-angle bend and cuts lead the same length every time.



RX 601 forming pliers leave a standoff on the LED leads.



202A cut and clench tools leave a swaged, bent lead that clenches the PCB.



7292MI micro-mini end cutter is used to cut a ground wire inside a mini connector.



with



Lindström tool designer shapes the tool according to customer specifications.



Finished Transistor Forming Pliers RX 601-16 ready for delivery!

Develop Your Customized Precision Cutter

WWW.LINDSTROMTOOLS.COM

The Tool Request Form allows you to customize your product live. In a few steps you will be able to send us your request and our manufacturing reps and engineering team will respond to you to discuss your needs.

The image displays a screenshot of the Lindstrom website. The main banner features the text "WE DEVELOP THE PLIERS YOU NEED" and a description of Lindstrom's services: "Lindstrom customers are innovators, pushing the envelope, developing new technologies and building new industries. When presented with a need to prepare prototypes, insert or extract unique components, or cut proprietary hard wire, our customers look to Lindstrom for Specialty Engineered Tools." Below the banner, there is a "Request Now" button and a paragraph of text: "Lindstrom has developed tools used in specialist applications for the largest names in medical device manufacturing and for small start-up companies developing new technology. Every project receives the same attention in detail and a tool that is right for the job at hand. We will be able to work directly with production engineers to create solutions. We thrive on solving problems with our customers. The Lindstrom engineers can design special application tools by working from 'letter' and 'photo' drawings. We even build tools drawn on the back of a napkin. It's that easy!"

The screenshot also shows the "Lindstrom Customized Tool Request Form" which includes the following fields:

- Application Details
- Material Selection (Dropdown menu)
- Application Notes (Text area)
- Material to Cut/Extract/Insert (Text field)
- Tools Substitutions (Text field)
- Your Technical Information (Text field)

Buttons for "Submit" and "Track Order" are visible at the bottom of the form.

IC INSERTION/EXTRACTION TOOLS & IC CUTTERS

IC Insertion/Extraction Tool

7992

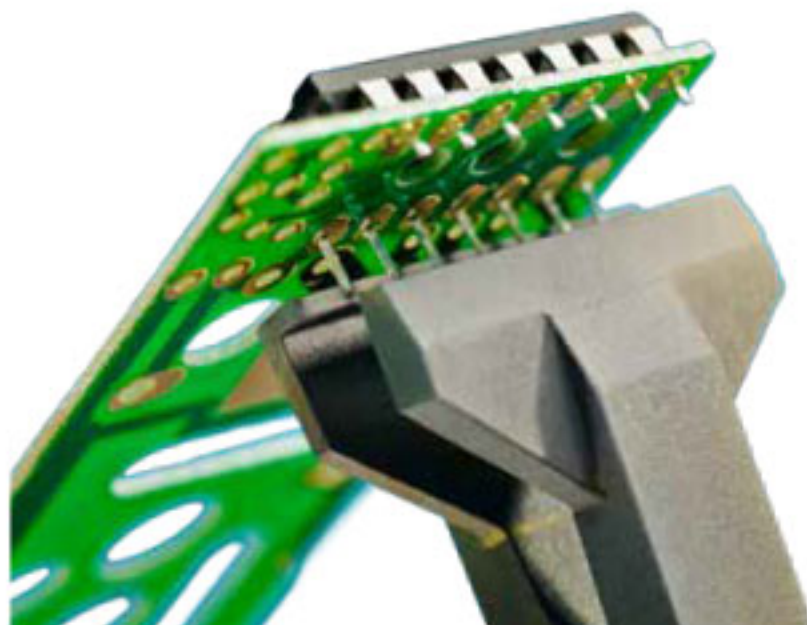
- The 7990-7993 family of insertion tools can be used for ICs or DIPs from 4 pin to 64 pin
- To order, indicate total number of pins on IC/DIP, length and width of package
- Tool length: 4.5 in / 114.3 mm
- Picture shows 80 Series handle



IC Cutter

RX 501

- IC cutters can be produced to cut up to 10 pins simultaneously
- Standoff length is typically 0.040 in (1 mm) but can vary according to specifications
- To order, indicate total number of pins on IC and standoff length.
Example: For 14 pin IC, order Part No. 501-14
- Tool length: 6 in / 152.4 mm
- Tool can be produced with RX, 80 Series or HS handles as specified by end-user



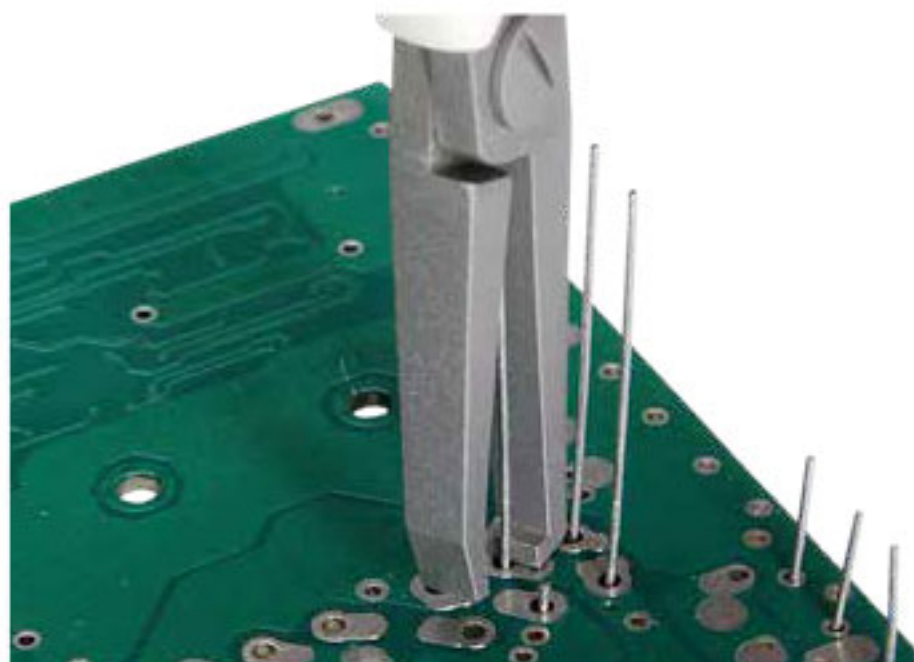
Coaxial cable connector TOOL

801C

- Reduces possibility of marred connector threads
- Tool length: 6 in / 152.4 mm
- Picture shows ESD safe foam handle



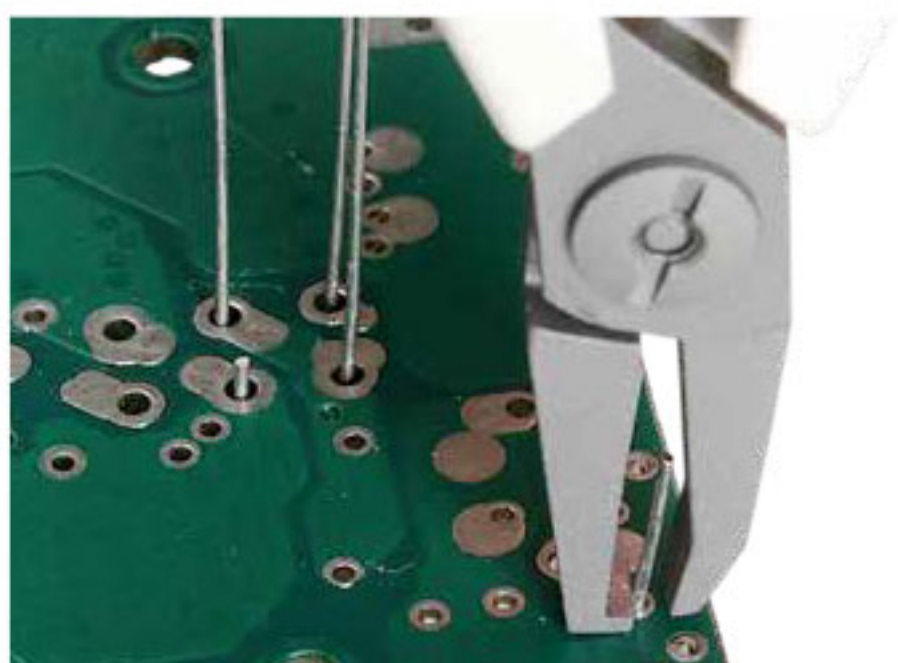
STANDOFF CUTTERS



Straight Standoff Shear Cutter 0.075 in

111A

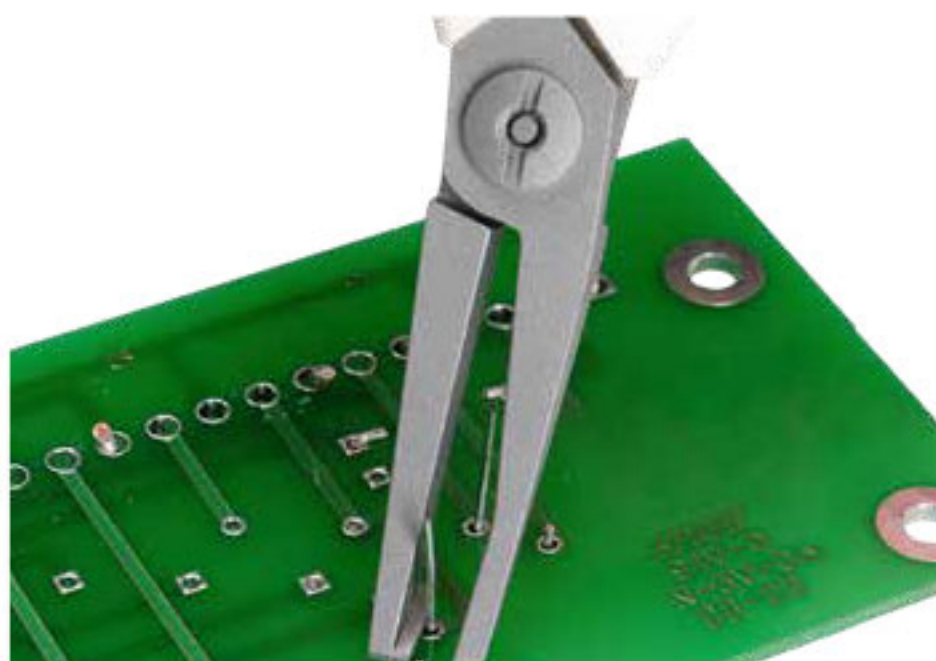
- Uncut lead length capacity: 1.000 in / 25.4 mm
- Cuts leads to length as needed
- Standard length is 0.075 in (1.9 mm) but varies according to specifications
- Cutter can be used on 18 AWG (1 mm) solid copper and also trims wire wrap pins
- To order other than 0.075 in standoff, specify length (Example: For 0.065 in standoff, order Part No. 111A-065)
- Tool length: 6 in / 152.4 mm
- Picture shows Supreme Series handle



Straight Standoff Shear Cutter 0.040 in

RX112A-1.5

- Uncut lead length capacity: 0.75 in / 19 mm
- Anti-shock lead trimmer for use on 20 AWG (0.813 mm) copper wire or smaller
- Standoff is 0.040 in (1 mm) unless otherwise specified
- To order other than .040" standoff, specify length. Example: For 0.030 in standoff, order Part No. 112A-030)
- Tool length: 4.5 in / 114.3 mm
- Picture shows Supreme Series handle



Oblique Standoff Shear Cutter 0.045 in

121A

- Similar to 111A, heavy-duty type, featuring a 45° angle to allow clearance for longer lead lengths
- Standoff is 0.045 in (1.14 mm) unless otherwise specified
- To order other than 0.045 in standoff, specify length (Example: For 0.035 in standoff, order Part No. 121A-035)
- Tool length: 6 in / 152.4 mm
- Picture shows Supreme Series handle
- Tool can be produced with RX, 80 Series or HS handles as specified by end-user

STANDOFF CUTTERS

Oblique Stand-Off Shear Cutter

HS122M.030

- 45° angle offers good lead visibility, does not limit lead length
- Standard standoff is 0.030 in and can be ordered in other lengths
- To order other than 0.030 in indicate lead length as a suffix to the product code (example HS122M-080 for a stand-off of 0.080 in)
- Tool length: 6.5 in / 165.1 mm
- Picture shows HS Series handles

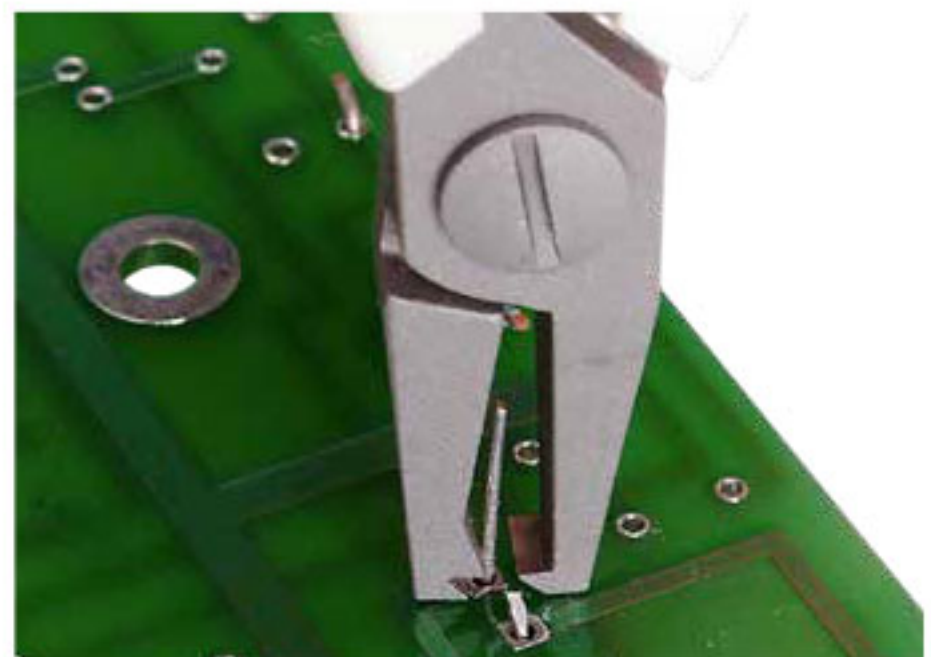


CUT and BEND

Straight Cut, Bend And Clench 0.060 in 20°

202A

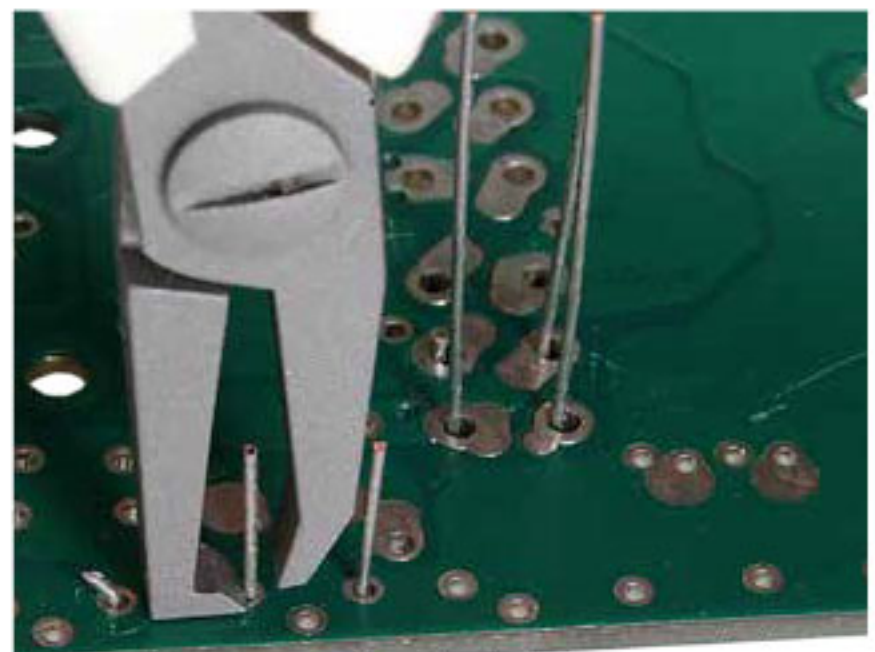
- Cuts leads to 0.060 in (1.52 mm) and bends them at a 20° angle
- To order other than 0.060 in and 20° indicate, cut lead length and angle (Example: For 0.050 in length and 30° angle, order Part No. 202A-050 30°)
- Tool length: 4.5 in / 114.3 mm
- Picture shows Supreme Series handle



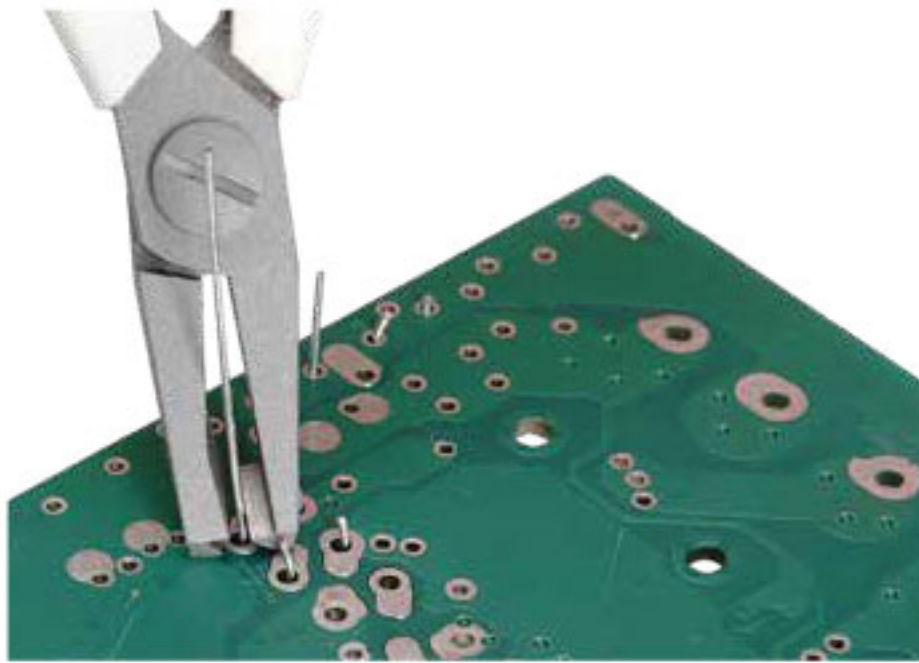
Cut & Bend 0.060 in 45°

204B

- Bends leads at 45° then cuts, leaving a 0.060 in (1.52 mm) standoff
- Other angles and lengths are available
- To order other than 45° and 0.060 in, indicate degree of bend required and lead length (Example: For 40° angle and 0.050 in length, order Part No. 204B-050 40°)
- Tool length: 4.5 in / 114.3 mm
- Picture shows Supreme Series handle



CUT and BEND

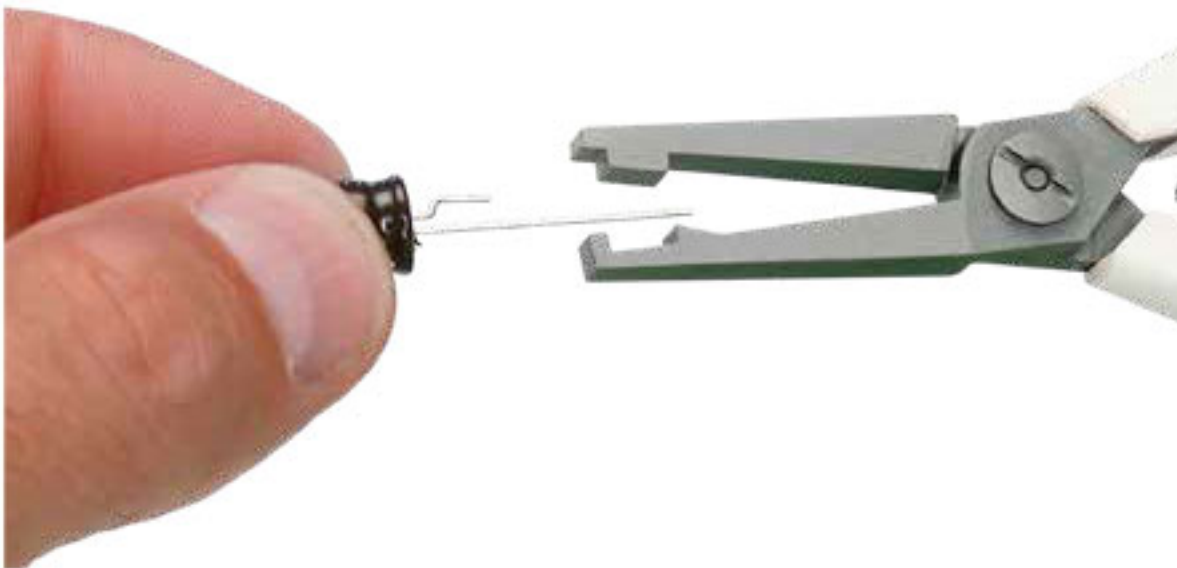


Oblique Cut, Bend And Clench 0.060 in 20°

212A

- Similar to a 202A featuring an oblique angle that offers improved lead visibility and accommodates longer leads
- To order other than 0.060 in and 20°, indicate cut lead length and angle (Example: For 0.055 in length and 35° angle, order Part No. 212A-055 35°)
- Tool length: 6 in / 152.4 mm
- Picture shows Supreme Series handle

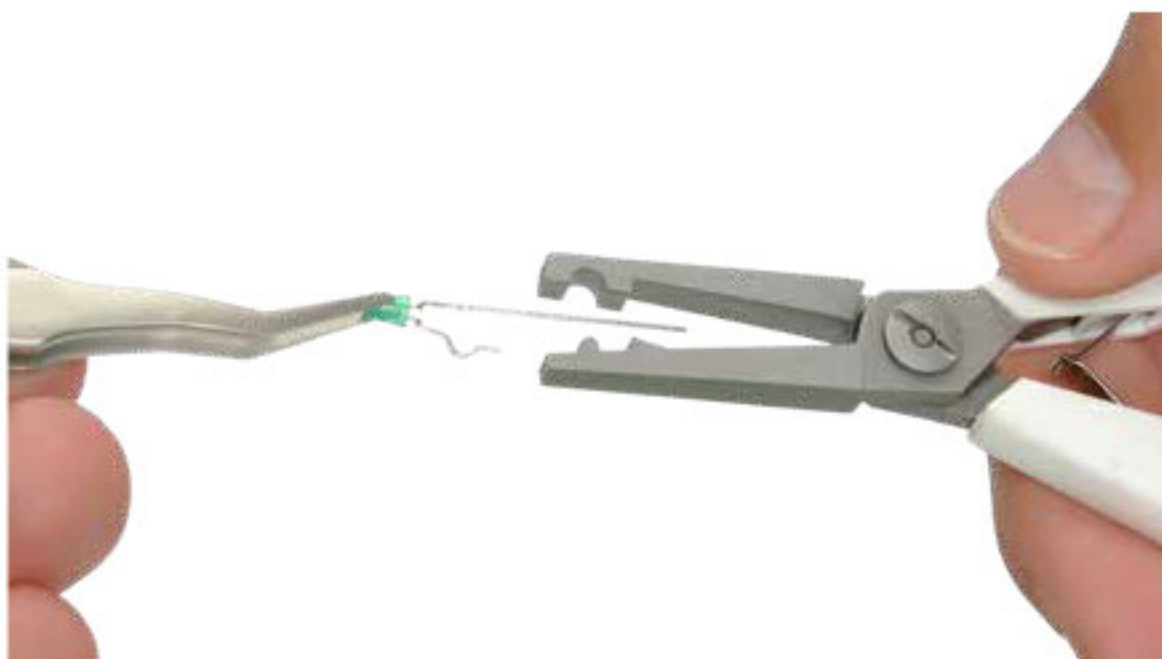
CUT and FORM



Cut And Form – Up To 18 Awg

RX331A

- Cuts leads and forms dogleg on solid copper as large as 18 AGW (1 mm)
- To order, furnish component or rough drawing indicating lead length, radii, diameter and bend locations
- Tool length: 6 in / 152.4 mm
- Picture shows Supreme Series handle



Cut And Form – Up To 18 Awg

341A

- Cuts leads to length and forms stress relief on component leads up to 18 AWG (1 mm) solid copper
- To order, furnish component or rough drawing indicating lead length, radii, diameter and bend location
- Tool length: 6 in / 152.4 mm
- Picture shows Supreme Series handle

LEADFORMERS

Flat Pack Leadformer

RX304D

- Cuts and forms multi-lead flat packs
- To order, indicate length from component body to bend, angle of bend and length of tail
- Tool length: 6 in / 152.4 mm
- Picture shows RX Series handle
- 29D-SA Tweezer shown holding component



Leadformer – stress relief up to 18 AWG

601A

- Forms leads for stress relief up to 18 AWG (1 mm) solid copper
- To order, indicate lead length (minimum/maximum) from component body to P.C. board and lead diameter
- Tool length: 6 in / 152.4 mm
- Picture shows Supreme Series handle



45° Oblique Leadformer – Unlimited Length

614A

- Adds stress relief to leads in high density board population applications
- Allows unlimited lead length forming with high visibility
- To order, indicate lead length (minimum/maximum) from component body to P.C. board and lead diameter
- Tool length: 6 in / 152.4 mm
- Picture shows Supreme Series handle



CUTTERS



Micro-mini end cutter

7292MI

- Specially engineered mini end cutter
- For micro-applications where access is a concern
- Designed to customer specifications
- Picture shows Supreme Series handle

CUSTOM FORMING PLIERS



Custom Leadformer

RX 601-16

- Specially engineered leadforming pliers
- Turns 5 equal-length leads into 3 long and 2 short leads
- Typically used on transistors
- Picture shows RX Series handle



BIOSPRING FOR RX SERIES

RX

- Tension is kept minimal and limited throughout the working cycle of the tool
- Handle width is controlled for ease of tool pick-up and handling
- Tension and opening width can be adjusted according to preference via three ports
- Almost indestructible in normal use
- On facing page, a spring is properly inserted for sure retention

BIOSPRING

RX 01



FITS ALL RX SERIES CUTTERS AND PLIERS

Part No.	Weight grams	Pack qty
RX 01	5	5

RX SPRING ADJUSTMENT:

1. Pull the tool apart
2. Place the spring in the desired port
3. Close the tool



RETURN SPRING FOR 80, RX, HS, MEDICAL AND SUPREME SERIES

80

HS

SUP

M

- Due to the long life of 80 Series, HS Series, Medical and Supreme Series cutters and pliers, replaceable springs help redown time and the need to stock substitute tools

RETURN SPRINGS

8130-50/SUPR SPRING, 8160/SPRING



Springs to fit all non-RX cutters and pliers

Part No.	Cutters and Pliers	Weight grams	Pack qty
8130-50/SUPR SPRING	HS, Medical, 80 Series 8130-8158; all Supreme	2	1 PR
8160/SPRING	HS, Medical, 80 Series 8160-8168	2	1 PR

LEAD CATCHER FOR 80, RX, HS, MEDICAL AND SUPREME SERIES

80

RX

HS

SUP

M

- Patented lead catcher holds cut wires, preventing injury and keeping leads from flying into the assembly
- The lead catchers can be removed and reused
- Sold in packs of 5

LEAD CATCHER

813, 814, 816, 824



Easy to install and remove

Part No.	Cutters and Pliers	Weight grams	Pack qty
813	8130-8138, RX 8130-8138, HS 8130-8138,7190-7191	4	5
814	8140-8148, RX 8140-8148, HS 8140-8148	4	5
816	8160-8168 / RX 8160-8168 / HS 8160-8168	4	5
824	8247, 8248, 8211	4	5





ESD Safe Precision Screwdrivers



Product Details

Lindström introduces a precision screwdriver crafted in Spain to exacting engineering standards to satisfy the requirements for tools used in the most demanding, delicate, high precision electrostatic applications.

Lindström Precision Screwdrivers are ESD Safe and safely dissipate electrostatic charges, reducing the possibility of damage to sensitive components.

ESD SAFE

The requirements for the ESD Safe screwdrivers are specified in the European Standard IEC 61340. One of these requirements is a handle manufactured from a specific electrical-conductive material to discharge uniformly. The Electrical Surface Resistance of the ESD Material amounts to 10⁶-10⁹ Ohm (Dissipative materials). This protects components against electricity and associated damage.

Lindström ESD Precision Screwdrivers satisfy this standard and also the most demanding requirements expected from any critical and technological industry.

QUALITY

Lindström ESD Safe Precision Screwdrivers are manufactured using a Chrome, Molybdenum-Vanadium alloy steel blade and hardened to 60 HRC providing the best wear resistance in the market. The high quality steel is combined with a precision machined black tip manufactured to exacting standards with guaranteed accurate dimensions in the tip.

The result is a screwdriver that delivers a precise fit with perfect engagement on the fastener while providing superior durability over a long life span.

DESIGN

For 165 years; design, comfort and safety have been part of our DNA. The new ESD Safe Precision Screwdriver ergonomic handle combines two materials including a thermostatic elastomer in the critical gripping area, resulting in the most comfortable handle on the market.

The handle's rotating head allows the tip to be perfectly positioned for fast comfortable finger movement during turning. The easy-movement rotating cap ensures rapid rotation and precise control.



▶ **Product Range**

- » ESD Safe Precision Screwdriver, safely dissipates electrostatic charges, protecting electronic components from damage.
- » Specially designed for precision work, for mechanical and electronic applications.
- » Two-component ergonomic handle with soft grip material for comfortable grip.
- » The handle rotating head allows the tip to be perfectly positioned for fast comfortable finger movement during turning.
- » The easy-movement rotating cap ensures rapid rotation and precise control.
- » Marking on the handle for an easy identification of tip.
- » Black oxide tip guarantees high accuracy and precision fitting.
- » High-performance alloy steel blade, chrome plated, for high protection against corrosion and long life span.

Screwdriver Sets

Set includes 7 ESD Safe Precision Screwdrivers



Part No.	Description	Pieces	Sizes
801-7ESD	Precision Screw Set 7Pcs	SET 7 pcs	1.5; 2; 2.5; 3; PH00; PH0; PH1
803-7ESD	Precision Screw Set 7Pcs	SET 7 pcs	T6; T7; T8; T9; T10; T15; T20

Slotted

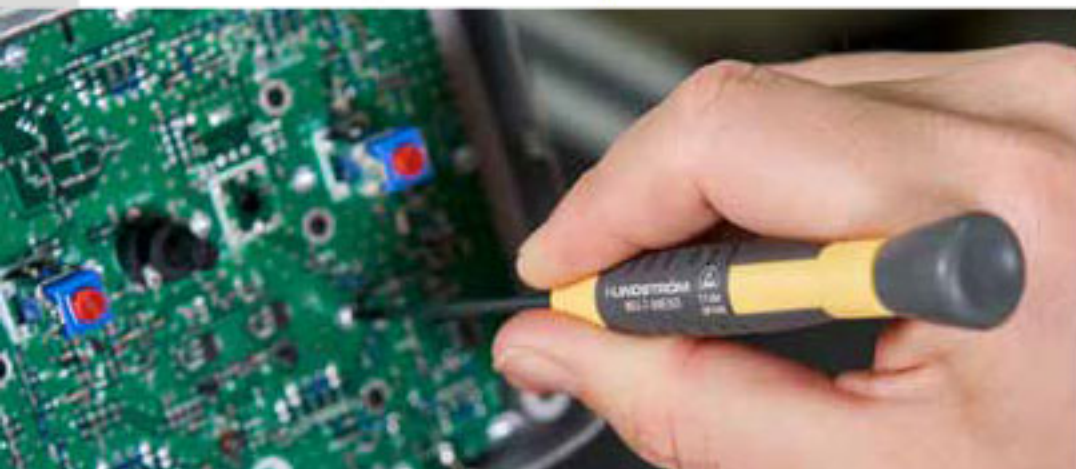
For slotted head screws



Standards: ISO 2380 and DIN 5264

Standard IEC 61340-5-1, the electrical surface resistance of the ESD material amounts to $10^6 - 10^9$ Ohm

Part No.	Description	Profile	Size x Length	Sizes
800-1.5-50ESD	Precision Screw Flat 1.5 X 50	Flat	1.5 x 50	Slotted 1.5 mm
800-2-50ESD	Precision Screw Flat 2.0 X 50	Flat	2.0 x 50	Slotted 2.0 mm
800-2.5-50ESD	Precision Screw Flat 2.5 X 50	Flat	2.5 x 50	Slotted 2.5 mm
800-3-50ESD	Precision Screw Flat 3.0 X 50	Flat	3.0 x 50	Slotted 3.0 mm



ESD SAFE PRECISION SCREWDRIVERS

Phillips For Phillips head screws



Standards: ISO 8764 and DIN 5260

Standard IEC 61340-5-1, the electrical surface resistance of the ESD material amounts to 106 - 109 Ohm

Part No.	Description	Profile	Size x Length	Sizes
801-00-50ESD	Precision Screw PH 00 X 50	Phillips	00 x 50	Phillips 00
801-0-50ESD	Precision Screw PH 0 X 50	Phillips	0 x 50	Phillips 0
801-1-75ESD	Precision Screw PH1 X 75	Phillips	1 x 75	Phillips 1

TORX® For TORX® head screws



Standard IEC 61340-5-1, the electrical surface resistance of the ESD material amounts to 106 - 109 Ohm

Part No.	Description	Profile	Size x Length	Sizes
803-6-50ESD	Precision Screw Torx® 6 X 50	Torx®	T6 x 50	Torx® 6
803-7-50ESD	Precision Screw Torx® 7 X 50	Torx®	T7 x 50	Torx® 7
803-8-50ESD	Precision Screw Torx® 8 X 50	Torx®	T8 x 50	Torx® 8
803-9-50ESD	Precision Screw Torx® 9 X 50	Torx®	T9 x 50	Torx® 9
803-10-50ESD	Precision Screw Torx® 10 X 50	Torx®	T10 X 50	Torx® 10
803-15-75ESD	Precision Screw Torx® 15 X 75	Torx®	T15 X 75	Torx® 15
803-20-75ESD	Precision Screw Torx® 20 X 75	Torx®	T20 X 75	Torx® 20

Pentalobe For Pentalobe head screws



Standard IEC 61340-5-1, the electrical surface resistance of the ESD material amounts to 106 - 109 Ohm

Part No.	Description	Profile	Size x Length	Sizes
805-TS1-50ESD	Precision Pentalobe TS1 X 50	Pentalobe	TS1	Pentalobe TS1 (0.8mm)
805-TS4-50ESD	Precision Pentalobe TS4 X 50	Pentalobe	TS4	Pentalobe TS4 (1.2mm)
805-TS5-50ESD	Precision Pentalobe TS5 X 50	Pentalobe	TS5	Pentalobe TS5 (1.5mm)



Sets

- » In robust plastic case with hanging hole.
- » ESD Safe Precision screwdriver, safely dissipates electrostatic charges, protecting electronic components from damage.
- » Specially designed for precision work, for mechanical and electronic applications.
- » Two-component ergonomic handle with soft grip material for comfortable grip.
- » The handle rotating head allows the tip to be perfectly positioned for fast comfortable finger movement during turning.
- » The easy-movement rotating cap ensures rapid rotation and precise control.
- » Marking on the handle for an easy identification of tip.
- » Black oxide tip guarantees high accuracy and precision fitting.
- » High-performance alloy steel blade, chrome plated, for high protection against corrosion and long life span.

Screwdriver Set Flat / PH



Standard IEC 61340-5-1, the electrical surface resistance of the ESD material amounts to 106 - 109 Ohm

Part No.	Code	Description	Profile	Size	Blade length	n° Pcs in set
801-7ESD	800-1.5-50ESD	Precision Screw Flat 1.5 X 50	Slotted	1.5	50	1
	800-2-50ESD	Precision Screw Flat 2.0 X 50	Slotted	2.0	50	1
	800-2.5-50ESD	Precision Screw Flat 2.5 X 50	Slotted	2.5	50	1
	800-3-50ESD	Precision Screw Flat 3.0 X 50	Slotted	3.0	50	1
	801-00-50ESD	Precision Screw Flat PH00 X 50	Phillips	PH00	50	1
	801-0-50ESD	Precision Screw Flat PH0 X 50	Phillips	PH0	50	1
	801-1-75ESD	Precision Screw Flat PH1 X 50	Phillips	PH1	50	1

Screwdriver Set Torx®



Standard IEC 61340-5-1, the electrical surface resistance of the ESD material amounts to 106 - 109 Ohm

Part No.	Code	Description	Profile	Size	Blade length	n° Pcs in set
803-7ESD	800-1.5-50ESD	Precision Screw Torx® 6 X 50	Torx®	T6	50	1
	800-2-50ESD	Precision Screw Torx® 7 X 50	Torx®	T7	50	1
	800-2.5-50ESD	Precision Screw Torx® 8 X 50	Torx®	T8	50	1
	800-3-50ESD	Precision Screw Torx® 9 X 50	Torx®	T9	50	1
	801-00-50ESD	Precision Screw Torx® 10 X 50	Torx®	T10	50	1
	801-0-50ESD	Precision Screw Torx® 15 X 50	Torx®	T15	50	1
	801-1-75ESD	Precision Screw Torx® 20 X 50	Torx®	T20	50	1

▶ **Customized Kits**

Lindström customers are innovators, pushing the envelope, developing new technologies and building new industries. Lindström has developed tools used in specialized applications for the largest names in medical device manufacturing and for small start-up companies developing new technology. Every project receives the same attention to detail and a tool that is right for the job at hand.

Now, in Lindström we have the possibility to create kits including our iconic:

- » Cutters & Pliers
- » Swiss Made Tweezers
- » ESD Safe Precision Screwdrivers

Join our website and contact us to develop your Lindström Customized Kit.

https://www.lindstromtools.com/int_en/contact?type=Contact



Expert Choice

High Precision Torque Screwdrivers

Lindström Torque Screwdrivers eliminate the over-application of force, thereby reducing the risk for damage and rework costs. They feature an ergonomic shape, a durable positive grip powder-coated surface, and an anti-magnetic ESD safe bit holder that accepts any standard 1/4" Hex drive bit.

The two models available are the Micro-Adjustable Torque Screwdriver and the Preset Torque Screwdriver.





HIGH PRECISION TORQUE CONTROL

With a unique high-precision cam-over torque-limiting design, Lindström's torque screwdrivers eliminate over application of force reducing the risk of damage and rework costs. Available in micro-adjustable or preset torque versions, Lindström's torque screwdrivers offer comfort with a user friendly shape and non-slip grip. Built to last with a non-magnetic bit holder that accepts any standard 1/4" Hex drive Bit, it is the ideal choice for flexible applications as well as volume production. All models are ESD-safe.

MICRO-ADJUSTABLE TORQUE SCREWDRIVERS

The micro-adjustable torque screwdriver allows instant change to the torque value with an easy-to-read window scale and a precise pull-to-set, push-to-lock mechanism. Adjustment is easy - simply pull the knob, turn to the desired torque, push the knob back in, and it is ready to use.

The micro-adjustable screwdriver series includes three models ranging from 14 to 451.94 Ncm or 20 in.oz. to 40 in.lbs. Accuracy +/- 6%.

PRESET TORQUE SCREWDRIVER

An outstanding selection for high-volume use in assembly where precision and repeatability is paramount. Torque values are easily set on this durable driver.

The end cap removes for access to the 1/8" Hex adjustment screw (Hex key included with each driver). Use a certified torque tester to verify the exact torque value after adjustment. Replace the end cap and it's ready to go.



All Lindström torque devices are ESD safe.

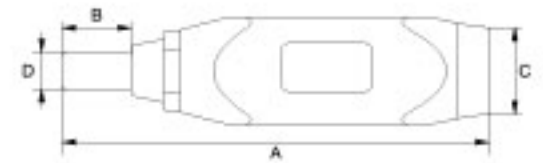
Warning! Lindström Torque Screwdrivers should never be used on electrified equipment.

MICRO-ADJUSTABLE TORQUE SCREWDRIVER

- ESD safe (IEC 61340-5-1)
- Torque limiting clutch prevents over application of force to fastener
- 1/4" Hexagon anti-magnetic spring loaded bit holder to avoid ESD damage to sensitive equipment or components in electronic applications
- Adjustable Torque Screwdriver, with all metal 3-lobe shaped handle
- Powder coat wrinkle finish provides positive grip
- Cam-over torque limiting clutch for repeatability
- Store driver in the protective case at lowest torque setting
- Accuracy meets or exceeds +/-6% over recommended usage period: 5.000 cycles or one year, whichever occurs first
- Clockwise torque measurement only. It can be used to loosen fasteners without affecting the internal mechanism
- Cam-Over technology provides tactile and audible feedback when torque values are reached
- Supplied with an internal declaration of conformity in compliance with International standards
- ISO 6789, ISO 1174, ASME B107.300-2010
- Made in USA



Truly ESD Safe, extremely accurate and durable, delivering repeatable torque values



Part No.	cNM	in-oz	lb-in		cNM	A mm / in	B mm / in	C mm / in	D mm / in	kg
MA500-1A	16-80 cNM	20-200 in-oz		1/4 in	1	5.43 / 138	18.2 / 0.72	28 / 1.10	9.6 / 0.38	0.2
MA500-2A	40-200 cNM		3-15 lb-in	1/4 in	2	6.18 / 157	18.2 / 0.72	28 / 1.10	9.6 / 0.38	0.26
MA500-3A	90-450 cNM		5-40 lb-in	1/4 in	5	6.73 / 171	18.2 / 0.72	32 / 1.26	9.6 / 0.38	0.308

PRESET TORQUE SCREWDRIVER

- ESD safe (IEC 61340-5-1)
- Torque limiting clutch prevents over application of force to fastener
- 1/4" Hexagon anti-magnetic spring loaded bit holder to avoid ESD damage to sensitive equipment or components in electronic applications
- Preset Torque Screwdriver, with all metal 3-lobe shaped handle
- Cam-over torque limiting clutch for repeatability
- Powder coat wrinkle finish provides positive grip
- Accuracy meets or exceeds +/-6% over recommended usage period: 5000 cycles or one year, whichever occurs first
- Clockwise torque measurement only. It can be used to loosen fasteners without affecting the internal mechanism
- Cam-Over technology provides tactile and audible feedback when torque values are reached
- On request, preset screwdrivers can be set and certified with a declaration of conformity in compliance with International Standards
- ISO 6789, ISO 1174, ASME B107.300-2010
- Made in USA



Truly ESD Safe, extremely accurate and durable, delivering repeatable torque values



Part No.	cmm	in-oz		A mm / in	B mm / in	C mm / in	D mm / in	kg
PS501-1	4-22 cNM	6-32 in-oz	1/4 in	4.53 / 115	18.2 / 0.72	28 / 1.10	9.6 / 0.38	0.147
PS501-2	7-70 cNM	10-100 in-oz	1/4 in	5.55 / 141	18.2 / 0.72	28 / 1.10	9.6 / 0.38	0.200
PS501-3	15-170 cNM	1.5-15 in-lbs	1/4 in	5.55 / 141	18.2 / 0.72	28 / 1.10	9.6 / 0.38	0.198
PS501-4	45-450 cNM	4-40 in-lbs	1/4 in	6.06 / 154	18.2 / 0.72	32 / 1.26	9.6 / 0.38	0.270

To order with torque values set, add "SET" as a suffix to the part number and the desired torque value.
Example: PS501-3DSET - 7 In. Oz.

Lindström launches its most comprehensive range of tweezers

Know How:

With over 150 years of knowledge and experience, Lindström knows that working with fragile and expensive materials is a daily reality for many professionals, so this range has been developed to handle, manoeuvre and position components, jewels and wires with the utmost care and confidence. As trusted partners of the medical device, electronics, watch making and jewellery industries, we have designed an extensive range of specialist tweezers for the most demanding applications, such as the Tungsten Carbide Cutting Tweezers with angled blades, designed for cutting hard hairsprings such as coils, coiled catheters and stents, as well as stainless steel wires for hearing aids and pacemakers. Other designs in this range feature curved, pointed, slender and flat edge tips to deliver precision, safety and strength to any job.

Quality:

Thanks to Lindström's unwavering focus on quality and design, this new range of tweezers incorporates many specialist tips made from high-quality and highly resilient materials, including stainless steel and polyamide-based carbon fibre, which are ESD safe, perfect for electronics assembly and able to withstand temperatures of up to 150 °C. Lindström's ESD-safe tweezers also feature soft, ergonomic grips (109 ohm resistivity) that are more comfortable and reduce finger stress when handling ESD-sensitive components and small static items.

Plastic-tip tweezers, also ESD-safe and reinforced with carbon fibre, do not scratch and are also suitable for electronics and medical applications.

▶ Innovation:

With our sights set firmly on the future and on bringing customers the best-quality tools on the market, at Lindström, we are always looking for new ways to innovate and meet the most demanding standards. That's why we also offer tailor-made tools designed for specific fields, to help professionals excel at what they do best. Visit the new webpage to view the full range of tweezers, or fill in the Lindström customised tool request form and tell us exactly what you're looking for.

The new range of Lindström Tweezers meets the needs of the most demanding end-users in the world, who can now choose from hundreds of designs and a wide range of material, such as stainless steel, carbon steel, plastic, ceramic, and ESD Safe Materials. The tweezers can be used in many different field to perform intricate work. Their unique structure and manufacturing materials mean that these tweezers can be used to carefully and safely handle different samples, substances and objects.

Swiss-made and designed for the medical device industry to cut hard hairsprings such as coils, coiled catheters or sents, as well as stainless steel wires used to produce hearing aids, pacemakers or even for the detailed cutting of plastic moulds.

High Precision Tungsten Carbide Cutting Tweezer



Lindström

Tweezers styles for every application



◀ BIOLOGY TWEEZERS

Lindström tweezers are designed for handling sensitive parts and components, for precision work with microscopic components and for processes involving extreme temperatures, chemicals and harsh conditions.



▶ FLAT TIP TWEEZERS

The line includes flat-tip tweezers for a gentle handling with minimum pressure on delicate parts, with no risk of scratch.

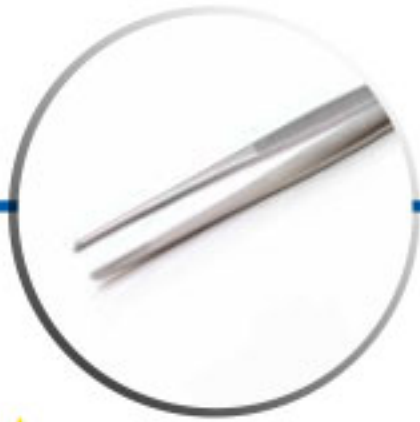
SMD ▲

Smooth handling and positioning of all SMD components.
Different tips and angles for specific applications.
Good corrosion resistance to most chemicals & acids.



▶ PLASTIC TIP TWEEZERS

Suitable to applications which require holding a component firmly.
The Carbon Fiber reinforced ESD Plastic provides the tweezers with ESD and non-scratching properties.
Suitable for Electronics and Medical Applications.



▲ EXTRA STRENGTH, GENERAL PURPOSE

Large and strong tips with perfect balance, symmetry and alignment for demanding tasks of all types.

▶ COMPONENT HANDLING

Anti-magnetic/anti-acid steel.



◀ GENERAL PURPOSE

Very accurate finish for a wide variety of applications from electronics to bio medical uses. Extremely accurate serration quality. Different lengths, thicknesses and angles for every application. Stainless and/or anti-magnetic/anti-acid steel.



▶ SUPER SLIM

Long and slender tweezers especially suited for reaching in tight spaces or for working near heat sources. Applications include moving, gripping and manipulating flat parts, substrates and wafers, handling of minute material and grids, heavy-duty and precision work near heat sources during manufacturing or repairing of electronic devices.



▶ ECONOMY TWEEZERS

Competitively priced, high quality tweezers. ESD safe for secure use in electronics assembly. Anti-acid stainless steel for durable performance.



▶ HIGH PRECISION

High precision tweezers are skillfully handcrafted to offer polished edges and a superior no-scratch/antiglare satin finish. Used for microscopic work, precision handling, repair and manufacturing of electronic machinery along with other general applications, high precision tweezers guarantee the perfect symmetry and balance of tips.



▶ ESD SAFE TWEEZERS

Soft ESD safe ergonomic cushion grips (resistivity 109 Ohm) provide enhanced operator comfort and reduced finger stress when handling ESD sensitive components or small static items.

DR handles are recommended for use in Clean Rooms and controlled environments.



TWEEZER CATEGORIES

▶ HIGH PRECISION TW



Handcrafted to have perfect tip symmetry and balance along with polished edges and superior no-scratch/antiglare satin finish. Typical applications include microscopy preparation, sample handling, precision manufacturing, electronic industry, watch making, general laboratory and medical applications.

BIOLOGY TWEEZERS - Made of high-alloy stainless steel (DX) and superalloy (CX). The perfect choice to be used under microscope as their extra fine tips are ideal for handling extremely minute, delicate material and grids.

▶ HP - FLAT TIP



Smooth scratch proof tips designed for handling sensitive parts and components. Applications include moving, gripping and manipulating flat parts, substrates and wafers. The smooth, flat tips enable gentle handling and minimum pressure on delicate parts.

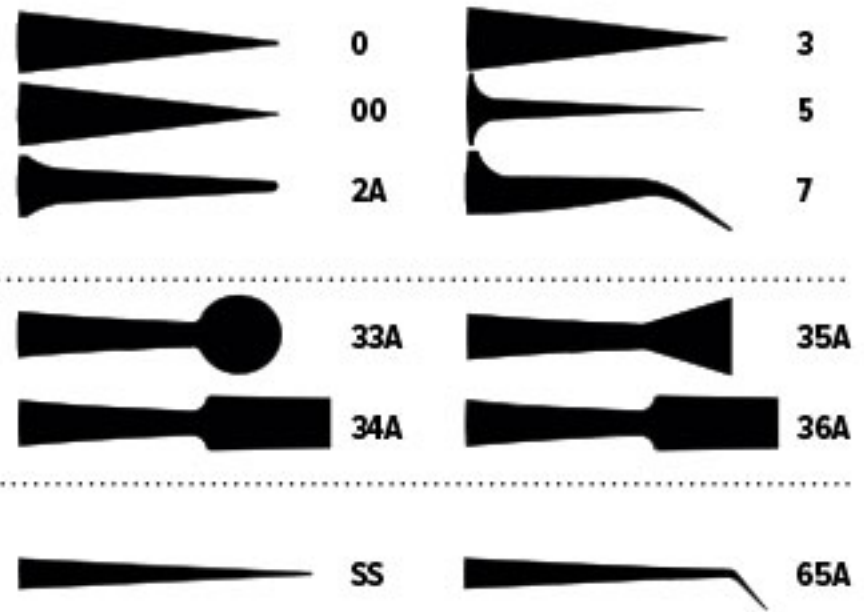
▶ HP - SUPER SLIM



Long and slender tweezers especially suited for reaching in tight spaces or for working near heat sources.

CATEGORY DESCRIPTION

MOST POPULAR STYLES



▶ CUTTING TW



Made from High Grade Carbon Steel for superior high precision cutting edges, these tweezers feature a tapered narrow design for narrow working spaces and are available with angled blades, predominantly angled blades, parallel blades, rounded tips, hard metal carbide blades and miniature size. Applications include cutting soft wires such as copper, gold, silver as well as magnetic wires and hard hairsprings.

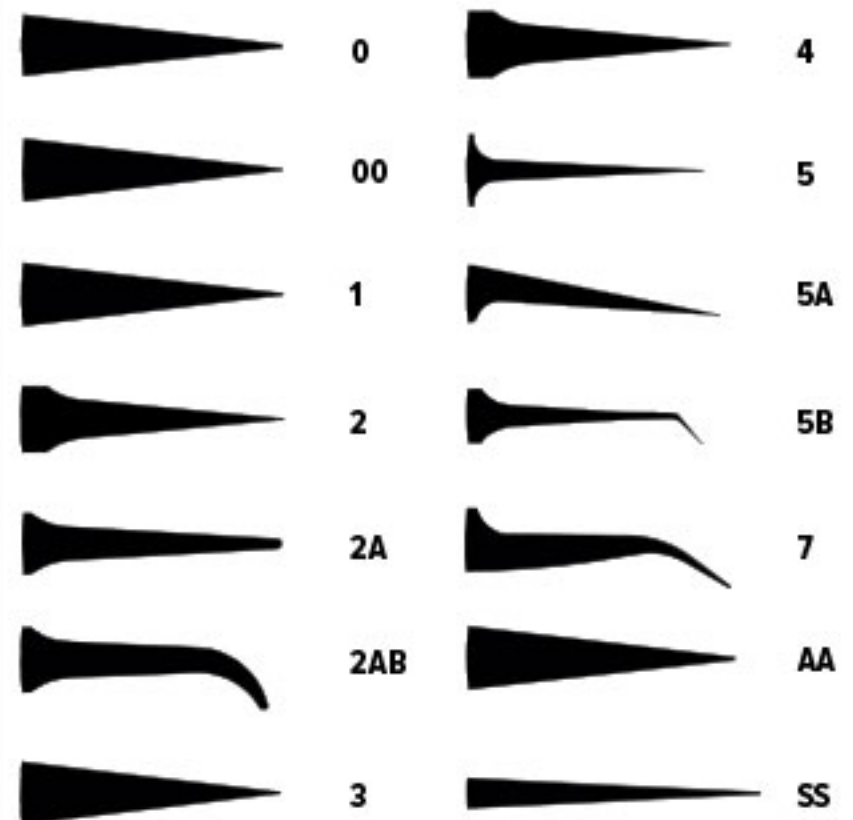


▶ ESD SAFE TW

▶ ESD SAFE GRIP HANDLE



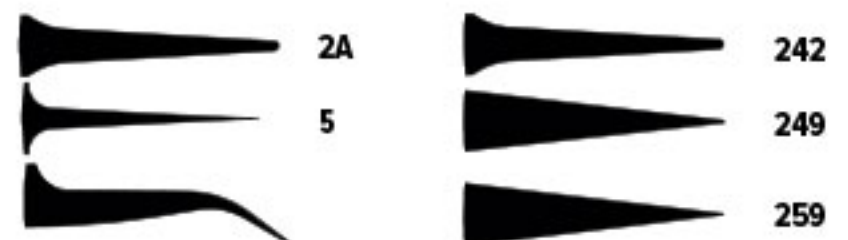
Soft ESD safe ergonomic cushion grips (resistivity 10^9 Ohm) provide enhanced operator comfort and reduced finger stress when handling ESD sensitive components or small static items. Two different handles are available: ESD safe blue Rubber (DR) or ESD safe black Foam (DN).










































▶ PLASTIC TW



Specially designed for the electronics industry, these tweezers feature durable and self-aligning replacement tips, anti-magnetic stainless steel handles and are available with a variety of tip geometries and materials: they offer a significant cost savings. Excellent for handling sensitive electronic components, and ceramic and glass parts where non-metallic non-scratching is critical.



TWEEZER CATEGORIES

CATEGORY DESCRIPTION	MOST POPULAR STYLES	
<p>▶ REVERSE ACTION TW</p>  <p>Uniform tension in handling small fragile parts for extended periods of time without finger strain. Specially intended for applications where a high precise self-closing action is required such as in microscopy and assembly applications.</p>	 2A  3  4	 5  5A  7
<p>▶ SMD TW</p>  <p>The variety of tips and angles available on SMD Tweezers allow for smooth handling and positioning of all Surface Mount Device components. Satin anti-glare finish and ergonomic design. Available as reverse action model.</p> <p>Ideal for electronics assembly, labs, clean rooms and circuit board repair and rework.</p>	 SM103  SM104  SM107	 SM108  SM111  SM115
<p>▶ MINI TW</p>  <p>Short fine tip tweezers without the excess bulk of long tweezers. Very light, ergonomic tweezers ideal for working into tight spaces, under the limited working area of a microscope and for short range precision work. Applications include: specimen handling, microscopy preparation, sorting, precision manufacturing, electronic assembly, watch making, general laboratory, biological and medical applications.</p>	 00  2  2A	 3  5
<p>▶ BOLEY TW</p>  <p>General purpose tweezers available in different materials for specific applications. All shanks are tapered and have beveled edges. The sharp points have received some finishing at the tips.</p>	 AA  BB	 GG  MM
<p>▶ TWEEZER KITS</p>  <p>Lindström offers an assortment of tweezers kits specially comprised to match specific needs and applications. Applications include SMD handling and repair and micro assembly. Specific tasks include moving, gripping and manipulating fine wires, substrates, leads, components and other small parts too delicate, small or sterile to be handled by human fingers.</p> <p>Ideal for labs, cleanrooms, electronics assembly applications and circuit board rework/repair.</p>	<p>HIGH PRECISION TW</p>  <p>ECONOMY TW</p>  <p>REVERSE ACTION TW</p> 	<p>ESD SAFE EPOXY COATED TW</p>  <p>PLASTIC TW</p>  <p>SMD TW</p> 
<p>▶ ECONOMY TW</p>  <p>The most popular tweezers are also available in economical version at a very competitive price. Made in Asia and re-worked for a consistent performance.</p>	 00  2A  3	 5  7  SS

TWEEZERS SETS

- 9855W empty wallet
- Lindström tweezers offer perfect balance, tip alignment and symmetry
- Professional tweezers, also suitable for medical uses
- For professional use, including medical and electronic

► Set of 5 Precision Tweezers



- Precision tweezer set includes 5 tweezers
- TL 5S-SA-SL, TL AA-SA-SL, TL 2A-SA-SL, TL 4-SA-SL, TL 7A-SA-SL
- Tip Styles 5S-SA, 2A-SA, 7A-SA, AA-SA

Part No.									
9855	110 mm	4,33 in	200 mm	7,87 in	10 mm	0,39 in		115 g	4,06 oz

► Set of 5 Precision Tweezers



- Precision tweezer set includes 5 tweezers
- TL 00-SA-SL, TL 1-SA-SL, TL 3C-SA-SL, TL 5-SA-SL, TL 7-SA-SL
- Tip Styles 00-SA, 1-SA, 3C-SA, 5-SA, 7-SA

Part No.									
9857	110 mm	4,33 in	200 mm	7,87 in	10 mm	0,39 in		115 g	4,06 oz

► Set of 2 Precision Tweezers



- Precision tweezer set includes 2 tweezers
- TL AA-SA-SL, TL 5S-SA-SL
- Tip Styles AA-SA, 5S-SA

Part No.									
9858	65 mm	2,56 in	200 mm	7,87 in	8 mm	0,32 in		60 g	2,12 oz

► Set of 2 Precision Tweezers



- Precision tweezer set includes 2 tweezers
- TL 00B-SA, TL 2A-SA-SL
- Tip Styles 00B-SA, 2A-SA

Part No.									
9859	65 mm	2,56 in	200 mm	7,87 in	8 mm	0,32 in		75 g	2,65 oz

TWEEZERS SETS

▶ Set of 5 High Precision Tweezers



- Precision tweezer set includes 5 tweezers
- TL 00-SA, TL 2ASA, TL 3C-SA, TL 5-SA, TL 7-SA
- Tip Styles 00-SA, 2ASA, 3C-SA, 5-SA, 7-SA

Part No.								
9860	185 mm	7,28 in	105 mm	4,13 in	12 mm	4,41 in	120 g	4,23 oz

▶ Set of 5 Economy Tweezers



- Precision tweezer set includes 5 tweezers
- TL 00-SA-SL, TL 2A-SA-SL, TL 3C-SA-SL, TL 5-SA-SL, TL 7-SA-SL
- Tip Styles 00-SA, 2A-SA, 3C-SA, 5-SA, 7-SA

Part No.								
9861	165 mm	6,5 in	70 mm	2,76 in	10 mm	0,39 in	120 g	4,23 oz

▶ Set of 4 Economy Tweezers



- Precision tweezer set includes 4 tweezers
- TL 2A-SA-SL, TL 3C-SA-SL, TL 7A-SA-SL, TL AA-SA-SL
- Tip Styles 2A-SA, 3C-SA, 7A-SA, AA-SA

Part No.								
9862	165 mm	6,5 in	70 mm	2,76 in	10 mm	0,39 in	120 g	4,23 oz

▶ Set of 5 SMD and Economy Tweezers



- Precision tweezer set includes 5 tweezers
- TL SM103-SA, TL SM108-SA, TL 3-SA-SL, TL 5-SA-SL, TL 7A-SA-SL
- Tip Styles SM103-SA, SM108-SA, 3-SA, 5-SA, 7A-SA

Part No.								
9863	165 mm	6,5 in	70 mm	2,76 in	10 mm	0,39 in	120 g	4,23 oz



High Precision Tweezers

CUTTING TWEEZERS

- Body material: Inox
- Lindström tweezers offer perfect balance, tip alignment and symmetry
- Made in Switzerland

Stainless Steel Cutting Tweezers



Type 15AGHM high-precision cutting tweezers are designed for cutting small materials or performing small cuts. The extreme hard tungsten carbide blade insert is designed to cut the hardest metals.

- Cutting tweezers, Type 15AGHM
- Tip description: cutting, tungsten carbide insert, predominantly angled blades, superior finish
- Tip material: tungsten carbide
- Style 15AGWHM with Tungsten Carbide Inserts and Predominantly Angled Blades

Part No.													
TL 15AGWHM-SA 15AGHM		115 mm	4,53 in	10 mm	0,39 in	12 mm	0,47 in	5 mm	0,2 in	10 mm	0,39 in	27 g	0,95 oz

Carbon Steel Cutting Tweezers



Type 15A high-precision cutting tweezers are designed for cutting small materials or performing small cuts. The strong blades are designed to apply moderate cutting force. Suitable to cut small, soft metal strands (e.g. Copper).

- Cutting tweezers, Type 15A
- Tip description: cutting, angled blades, superior finish
- Style 15A with Angled Blades

Part No.													
TL 15A 15A		120 mm	4,72 in	12 mm	0,47 in	15 mm	0,59 in	4,25 mm	0,17 in	12 mm	0,47 in	26 g	0,92 oz

Carbon Steel Cutting Tweezers



Type 15AGW high-precision cutting tweezers are designed for cutting small materials or performing small cuts. The strong blades are designed to apply moderate cutting force. Suitable to cut small, soft metal strands (e.g. Copper).

- Cutting tweezers, Type 15AGW
- Tip description: cutting, predominantly angled blades, superior finish
- Style 15AGW with Predominantly Angled Blades

Part No.													
TL 15AGW 15AGW		115 mm	4,53 in	11 mm	0,43 in	15 mm	0,59 in	4,75 mm	0,19 in	10 mm	0,39 in	25 g	0,88 oz

▶ HIGH PRECISION TWEEZERS

Straight Tips

- Body material: anti-magnetic, anti-acid stainless steel
- Professional Lindström tweezers offer perfect balance, tip alignment and symmetry thanks to micro precision including precise angles
- Made in Switzerland

▶ High Precision Tweezers Type 000



▶ Type 000 micro precision tweezers are made to hold small components firmly with good visibility. Suitable for medical applications.

- Type 000
- Tip description: straight, fine, superior finish

Part No.													
TL 000-SA	000	120 mm	4,72 in	10 mm	0,39 in	12 mm	0,47 in	0,15 mm	0,01 in	0,2 mm	0,01 in	22 g	0,78 oz

▶ High Precision Tweezers Type 00



▶ Type 00 micro precision tweezers are made to hold components firmly. With precision angles are suitable for medical applications.

- Type 00
- Tip description: straight, thick, strong, superior finish

Part No.													
TL 00-SA	00	120 mm	4,72 in	10 mm	0,39 in	12 mm	0,47 in	0,5 mm	0,02 in	0,9 mm	0,04 in	21 g	0,74 oz

▶ High Precision Tweezers Type 00B



▶ Type 00 micro precision tweezers are for holding components firmly. Line serration gives handles extra grip, also preventing slips. Suitable for medical applications.

- Type 00B
- Tip description: straight, thick, strong, superior finish and serrated handles

Part No.													
TL 00B-SA	00B	120 mm	4,72 in	10 mm	0,39 in	12 mm	0,47 in	0,5 mm	0,02 in	0,9 mm	0,04 in	20 g	0,71 oz

▶ High Precision Tweezers Type 00D



▶ Type 00D micro precision tweezers are made to hold a component very firmly. Line serration gives tips and handles extra grip, also preventing slips.

- Type 00D
- Tip description: straight, thick, strong, line serrated, superior finish and serrated handles

Part No.													
TL 00D-SA	00D	120 mm	4,72 in	10 mm	0,39 in	12 mm	0,47 in	0,5 mm	0,02 in	0,9 mm	0,04 in	20 g	0,71 oz

▶ HIGH PRECISION TWEEZERS

▶ High Precision Tweezers Type 0C9



▶ Type 0C9 high precision tweezers are made to hold small components firmly with good visibility. The short body allows a firmer grip combined with greater practicality.

- Type 0C9
- Tip description: straight, fine, sharp, superior finish

Part No.													
TL 0C9-SA	0C9	90 mm	3,54 in	8 mm	0,32 in	9 mm	0,35 in	0,1 mm	0 in	0,15 mm	0,01 in	9 g	0,32 oz

▶ High Precision Tweezers Type 1



▶ Type 1 high precision tweezers are made to hold small components firmly while granting good visibility.

- Type 1
- Tip description: straight, fine, sharp, superior finish

Part No.													
TL 1-SA	1	120 mm	4,72 in	10 mm	0,39 in	11 mm	0,43 in	0,1 mm	0 in	0,15 mm	0,01 in	14 g	0,49 oz

▶ High Precision Tweezers Type 2A



▶ Type 2A high precision tweezers are suitable to delicate applications which require holding a flat component firmly. The micro precision angles are also suitable for medical use.

- Type 2A
- Tip description: straight, very fine, round, flat, superior finish

Part No.													
TL 2A-SA	2A	120 mm	4,72 in	10 mm	0,39 in	11 mm	0,43 in	0,1 mm	0 in	1,9 mm	0,08 in	15 g	0,53 oz

▶ High Precision Tweezers Type 3C



▶ Type 3C precision angled tweezers are made for holding a small component firmly while granting good visibility. The short body allows a firmer grip combined with greater practicality.

- Type 3C
- Tip description: straight, fine, pointed, superior finish

Part No.													
TL 3C-SA	3C	110 mm	4,33 in	9,5 mm	0,37 in	11 mm	0,43 in	0,12 mm	0,01 in	0,18 mm	0,01 in	12 g	0,42 oz

▶ HIGH PRECISION TWEEZERS

▶ High Precision Tweezers Type 3



▶ Type 3 precision angled tweezers are designed for delicate applications that require holding a small component firmly while granting good visibility.

- Type 3
- Tip description: smooth, thin, squared, flat, superior finish

Part No.													
TL 3-SA	3	120 mm	4,72 in	10 mm	0,39 in	11 mm	0,43 in	0,12 mm	0,01 in	0,18 mm	0,01 in	14 g	0,49 oz

▶ High Precision Tweezers Type 5



▶ Type 5 high precision tweezers are made for holding small components firmly with precision angles while granting good visibility.

- Type 5
- Tip description: straight, very fine, sharp, superior finish

Part No.													
TL 5-SA	5	110 mm	4,33 in	10 mm	0,39 in	11 mm	0,43 in	0,07 mm	0 in	0,12 mm	0,01 in	13 g	0,46 oz

▶ High Precision Tweezers Type 51S



▶ Type 51S micro precision tweezers are made to hold a small component firmly while granting maximum visibility, thanks to the bent geometry and ergonomic design.

- Type 51S
- Tip description: bent, very fine, superior finish

Part No.													
TL 51S-SA	51S	115 mm	4,53 in	10 mm	0,39 in	11 mm	0,43 in	0,08 mm	0 in	0,13 mm	0,01 in	14 g	0,49 oz

▶ High Precision Tweezers Type SS



▶ Type SS high precision tweezers with precision angles are made for delicate uses that require holding small components firmly with maximum visibility.

- Type SS
- Tip description: straight, very fine, very sharp, superior finish

Part No.													
TL SS-SA	SS	140 mm	5,51 in	8 mm	0,32 in	12 mm	0,47 in	0,08 mm	0 in	0,13 mm	0,01 in	13 g	0,46 oz

Curved Tips

▶ High Precision Tweezers Type 7A



- Type 7A
- Tip description: very fine, curved, superior finish

▶ Type 7A high precision tweezers are designed for delicate applications that require holding components firmly with maximum visibility.

Part No.													
TL 7A-SA	7A	118 mm	4,72 in	10 mm	0,39 in	11 mm	0,43 in	0,15 mm	0,01 in	0,25 mm	0,01 in	14 g	0,49 oz

▶ High Precision Tweezers Type 7



- Type 7
- Tip description: very fine, curved, superior finish

▶ Type 7 micro precision tweezers with precision angles are made for delicate uses that require holding small components firmly with maximum visibility.

Part No.													
TL 7-SA	7	118 mm	4,72 in	10 mm	0,39 in	11 mm	0,43 in	0,09 mm	0 in	0,16 mm	0,01 in	14 g	0,49 oz

Bent Tips

▶ High Precision Tweezers Type 5B



- Type 5B
- Tip description: bent, very fine, sharp, superior finish

▶ Type 5B high precision tweezers are suited for delicate applications that require holding small components firmly while allowing maximum visibility, thanks to the bent geometry and ergonomic design.

Part No.													
TL 5B-SA	5B	110 mm	4,33 in	10 mm	0,39 in	11 mm	0,43 in	0,08 mm	0 in	0,13 mm	0,01 in	13 g	0,46 oz

▶ High Precision Tweezers Type 65A



- Type 65A
- Tip description: bent, very fine, very sharp, superior finish

▶ Type 65A high precision tweezers are ergonomically designed for delicate applications that require holding small components firmly with maximum visibility, thanks to their bent geometry and precision angles.

Part No.													
TL 65A-SA	65A	140 mm	5,51 in	8 mm	0,32 in	11 mm	0,43 in	0,09 mm	0 in	0,15 mm	0,01 in	12 g	0,42 oz

Flat Tips

► High Precision Tweezers Type 34A



► Type 34A high precision tweezers are made to hold a flat component firmly. The line serration provides the handles with extra grip.

- Type 34A
- Description de la pointe: lisse, fine, carrée, plate, finition supérieure

Part No.													
TL 34A-SA	34A	120 mm	4,72 in	10 mm	0,39 in	11 mm	0,43 in	0,17 mm	0,01 in	6,3 mm	0,25 in	15 g	0,53 oz

Angled Tips

► High Precision Tweezers Type 6



► Type 6 high precision tweezers are made for delicate applications that require holding small components firmly with precision angles and maximum visibility.

- Type 6
- Tip description: angled, very fine, superior finish

Part No.													
TL 6-SA	6	117 mm	4,61 in	10 mm	0,39 in	11 mm	0,43 in	0,12 mm	0,01 in	0,16 mm	0,01 in	17 g	0,6 oz



Coated Tweezers

Straight Tips

- Body material: anti-magnetic, anti-acid stainless steel
- Handle coating: ESD thermoplastic rubber
- Professional Lindström precision tweezers offer perfect balance, tip alignment and symmetry
- Made in Switzerland

▶ Precision Ergonomic Tweezers Type 00



▶ Type 00 ergonomic tweezers are made to hold components firmly.

- Type 00
- Tip description: straight, thick, strong

Part No.													
TL 00-SA-ET	00-SA	123 mm	4,84 in	15 mm	0,59 in	18 mm	0,71 in	0,5 mm	0,02 in	0,9 mm	0,04 in	30 g	1,06 oz

▶ Precision Ergonomic Tweezers Type 2A



▶ Type 2A ergonomic tweezers are suitable to delicate applications which require holding a flat component firmly.

- Type 2A
- Tip description: straight, very fine, round, flat

Part No.													
TL 2A-SA-ET	2A-SA	123 mm	4,84 in	15 mm	0,59 in	16 mm	0,63 in	0,3 mm	0,01 in	2 mm	0,08 in	22 g	0,78 oz

▶ Precision Ergonomic Tweezers Type 3



▶ Type 3 ergonomic tweezers are suitable to delicate applications which require holding a small component firmly while allowing good visibility.

- Type 3
- Tip description: straight, fine, pointed

Part No.													
TL 3-SA-ET	3	123 mm	4,84 in	15 mm	0,59 in	16 mm	0,63 in	0,2 mm	0,01 in	0,25 mm	0,01 in	21 g	0,74 oz

▶ Precision Ergonomic Tweezers Type 3C



▶ Type 3C ergonomic tweezers are made to hold small components firmly while allowing good visibility. The short body provides a firmer grip and greater practicality.

- Type 3C
- Tip description: straight, fine, pointed

Part No.													
TL 3C-SA-ET	3C-SA	112 mm	4,41 in	14 mm	0,55 in	15 mm	0,59 in	0,2 mm	0,01 in	0,25 mm	0,01 in	19 g	0,67 oz



▶ Precision Ergonomic Tweezers Type 5



▶ Type 5 ergonomic precision tweezers are made to hold components firmly.

- Type 5
- Tip description: straight, very fine, sharp

Part No.													
TL 5-SA-ET	5-SA	112 mm	4,41 in	15 mm	0,59 in	16 mm	0,63 in	0,2 mm	0,01 in	0,2 mm	0,01 in	18 g	0,63 oz

▶ Precision Ergonomic Tweezers Type AA



▶ Type AA Boley tweezers are made to hold components firmly.

- Type AA
- Tip description: straight, fine, sharp

Part No.													
TL AA-SA-ET	AA-SA	130 mm	5,12 in	15 mm	0,59 in	16 mm	0,63 in	0,5 mm	0,02 in	0,5 mm	0,02 in	20 g	0,71 oz

▶ Precision Ergonomic Tweezers Type SM116



▶ Type SM116 SMD precision tweezers are specially designed for holding and positioning cylindrical devices.

- Type SM116
- Tip description: grooved, straight, vertical positioning of cylindrical devices

Part No.													
TL SM116-SA-ET	SM116	115 mm	4,53 in	10 mm	0,39 in	11 mm	0,43 in	0,6 mm	0,02 in	0,85 mm	0,03 in	20 g	0,71 oz

▶ Precision Ergonomic Tweezers Type 7A



▶ Type 7A ergonomic precision tweezers are suitable to delicate applications which require holding a component firmly while allowing maximum visibility.

- Type 7A
- Tip description: fine, curved

Part No.													
TL 7A-SA-ET	7A	122 mm	4,8 in	15 mm	0,59 in	15 mm	0,59 in	0,25 mm	0,01 in	0,3 mm	0,01 in	22 g	0,78 oz

▶ Precision Ergonomic Tweezers Type 7



▶ Type 7 ergonomic tweezers are suitable to delicate applications which require holding a small component firmly. The curved geometry provides maximum visibility and increased ergonomics.

- Type 7
- Tip description: very fine, curved

Part No.													
TL 7-SA-ET	7-SA	122 mm	4,8 in	15 mm	0,59 in	15 mm	0,59 in	0,25 mm	0,01 in	0,3 mm	0,01 in	22 g	0,78 oz



Plastic Replaceable Tip Tweezers



Straight Tips

- Tip material: Plastic reinforced with carbon fiber
- Body material: anti-magnetic, anti-acid stainless steel
- Professional Lindström precision plastic tweezers for electronics offer perfect balance, tip alignment and symmetry
- Made in Switzerland

▶ Plastic Precision Tweezers for Electronics Type 242CFR



- Type 242CF
- Tip description: wide tip, straight, fine

▶ Type 242CF precision tweezers with wide plastic replaceable tips are designed to hold small components firmly. The carbon fiber reinforced ESD plastic provides the tweezers with non-scratching properties.

Part No.													
TL 242CFR-SA	242CFR	130 mm	5,12 in	10 mm	0,39 in	15 mm	0,59 in	0,5 mm	0,02 in	1,7 mm	0,07 in	17 g	0,6 oz

▶ Plastic Precision Tweezers for Electronics Type 249CFR



- Type 249CF
- Tip description: wide tip, straight, thick, blunt, strong

▶ Type 249CF precision tweezers with plastic replaceable tips are made for applications (including medical) that require holding a component firmly. The carbon fiber reinforced ESD plastic gives the tweezers non-scratching properties.

Part No.													
TL 249CFR-SA	249CFR	130 mm	5,12 in	10 mm	0,39 in	15 mm	0,59 in	1 mm	0,04 in	2 mm	0,08 in	17 g	0,6 oz

▶ Plastic Precision Tweezers for Electronics Type 259CFR



- Type 259CF
- Tip description: wide tip, straight, fine, pointed, strong

▶ Type 259CF precision tweezers with plastic replaceable tips are made to hold small components firmly. The carbon fiber reinforced ESD plastic gives these wide tip tweezers non-scratching properties.

Part No.													
TL 259 CFR-SA	259CFR	130 mm	5,12 in	10 mm	0,39 in	15 mm	0,59 in	0,6 mm	0,02 in	0,6 mm	0,02 in	17 g	0,6 oz



▶ Plastic Precision Tweezers for Electronics Type 259CP



▶ Type 259CP precision tweezers with plastic replaceable tips are designed for holding a flat component firmly. The carbon fiber reinforced ESD PEEK plastic gives the tweezers non-scratching properties combined with excellent high temperature resistance.

- Type 259CP
- Tip description: wide tip, straight, fine, pointed, strong

Part No.													
TL 259CPR-SA 259CPR		130 mm	5,12 in	10 mm	0,39 in	15 mm	0,59 in	0,6 mm	0,02 in	0,6 mm	0,02 in	17 g	0,6 oz

▶ Plastic Precision Tweezers for Electronics Type 00CF



▶ Type 00CF high precision tweezers have wide replaceable plastic tips designed for holding a component firmly. The carbon fiber reinforced ESD plastic provides the tweezers with non-scratching properties.

- Type 00CF
- Tip description: wide tip, straight, thick, squared

Part No.													
TL 00CFR-SA 00CFR		130 mm	5,12 in	10 mm	0,39 in	15 mm	0,59 in	1 mm	0,04 in	1 mm	0,04 in	17 g	0,6 oz

▶ Plastic Precision Tweezers for Electronics Type 2ACF



▶ Type 2ACF precision tweezers with plastic replaceable tips are designed to hold flat components firmly. The carbon fiber reinforced ESD plastic provides the tweezers with non-scratching properties.

- Type 259SV
- Tip description: wide tip, straight, very fine, round, flat

Part No.													
TL 259SVR-SA 259SVR		130 mm	5,12 in	10 mm	0,39 in	15 mm	0,59 in	0,6 mm	0,02 in	0,6 mm	0,02 in	17 g	0,6 oz

▶ Plastic Precision Tweezers for Electronics Type 2ACF



▶ Type 2ACF precision tweezers with plastic replaceable tips are designed to hold flat components firmly. The carbon fiber reinforced ESD plastic provides the tweezers with non-scratching properties.

- Type 2ACF
- Tip description: wide tip, straight, very fine, sharp

Part No.													
TL 2ACFR-SA 2ACFR		130 mm	5,12 in	10 mm	0,39 in	15 mm	0,59 in	0,5 mm	0,02 in	2 mm	0,08 in	17 g	0,6 oz



▶ PLASTIC REPLACEABLE TIP TWEEZERS

▶ Plastic Precision Tweezers for Electronics Type 5CF



▶ Type 5CF precision tweezers with plastic replaceable tips are made to hold small components firmly. The carbon fiber reinforced ESD plastic provides the tweezers with non-scratching properties.

- Type 5CF
- Tip description: wide tip, straight, very fine, sharp

Part No.													
TL 5CF-SA	5CFR	130 mm	5,12 in	10 mm	0,39 in	15 mm	0,59 in	0,5 mm	0,02 in	0,5 mm	0,02 in	17 g	0,6 oz

▶ Plastic Precision Tweezers for Electronics Type 5CF



▶ Type 5CF precision tweezers with plastic replaceable tips are made to hold small components firmly. The carbon fiber reinforced ESD plastic provides the tweezers with non-scratching properties.

- Type 5CF
- Tip description: wide tip, straight, very fine, sharp

Part No.													
TL 5CFR-SA	5CFR	130 mm	5,12 in	10 mm	0,39 in	15 mm	0,59 in	0,5 mm	0,02 in	0,5 mm	0,02 in	17 g	0,6 oz

▶ Plastic Precision Tweezers for Electronics Type 5CP



▶ Type 5CP precision tweezers with plastic replaceable tips are suitable to applications which require holding a small component firmly. The Carbon Fiber reinforced ESD PEEK Plastic gives the tweezers non-scratching properties combined with excellent temperature resistance.

- Type 5CP
- Tip description: wide tip, straight, very fine, sharp

Part No.													
TL 5CPR-SA	5CPR	130 mm	5,12 in	10 mm	0,39 in	15 mm	0,59 in	0,5 mm	0,02 in	0,5 mm	0,02 in	17 g	0,6 oz

▶ Plastic Precision Tweezers for Electronics Type 5SV



▶ Type 5SV precision tweezers with plastic replaceable tips are designed for holding small components firmly. The carbon fiber reinforced ESD PVDF plastic provides the tweezers with exceptional non-scratching properties and excellent chemical resistance.

- Type 5SV
- Tip description: wide tip, straight, very fine, sharp
- Tip material: PVDF reinforced with carbon fiber

Part No.													
TL 5SVR-SA	5SVR	130 mm	5,12 in	10 mm	0,39 in	15 mm	0,59 in	0,5 mm	0,02 in	0,5 mm	0,02 in	17 g	0,6 oz

Curved Tips

- Body material: anti-magnetic, anti-acid stainless steel
- Professional Lindström precision plastic tweezers for electronics offer perfect balance, tip alignment and symmetry
- Made in Switzerland

▶ Plastic Precision Tweezers for Electronics Type 7CP



▶ Type 7CP precision tweezers with plastic replaceable tips are made to hold small components firmly. The curved geometry provides maximum visibility and increased ergonomics. The carbon fiber reinforced ESD plastic gives the tweezers non-scratching properties and excellent temperature resistance.

- Type 7CP
- Tip description: wide tip, curved, very fine
- Tip material: PEEK reinforced with carbon fiber

Part No.													
TL 7CPR-SA	7CPR	130 mm	5,12 in	10 mm	0,39 in	15 mm	0,59 in	0,5 mm	0,02 in	0,5 mm	0,02 in	17 g	0,6 oz

▶ Plastic Precision Tweezers for Electronics Type 7SV



▶ Type 7SV precision tweezers with plastic replaceable tips are made to hold small components firmly. The curved geometry provides maximum visibility and increased ergonomics. The carbon fiber reinforced ESD PVDF plastic gives the tweezers exceptional non-scratching properties combined with excellent chemical resistance.

- Type 7SV
- Tip description: wide tip, curved, very fine
- Tip material: PVDF reinforced with carbon fiber

Part No.													
TL 7SVR-SA	7SVR	130 mm	5,12 in	10 mm	0,39 in	15 mm	0,59 in	0,5 mm	0,02 in	0,5 mm	0,02 in	17 g	0,6 oz

▶ Plastic Precision Tweezers for Electronics Type 7CF



▶ Type 7CF precision tweezers with plastic replaceable tips are made to hold small components firmly. The curved geometry provides maximum visibility and increased ergonomics. The carbon fiber reinforced ESD plastic provides the tweezers with non-scratching properties.

- Type 7CF
- Tip description: wide tip, curved, very fine
- Tip material: Plastic reinforced with carbon fiber

Part No.													
TL 7CFR-SA	7CFR	130 mm	5,12 in	10 mm	0,39 in	15 mm	0,59 in	0,5 mm	0,02 in	0,5 mm	0,02 in	17 g	0,6 oz

▶ GENERAL PURPOSE TWEEZERS

Straight Tips

- Body material: anti-magnetic, anti-acid stainless steel
- Professional Lindström precision tweezers offer perfect balance, tip alignment and symmetry
- Made in Switzerland

▶ General Purpose Tweezers Type 475



▶ Type 475 general purpose tweezers are made to hold large components very firmly. Line serration gives the tips and handles extra grip and prevents slipping. Suitable for medical applications.

- Type 475
- Tip description: straight, beveled, strong, line serrated

Part No.													
TL 475-SA 475		136 mm	5,35 in	10 mm	0,39 in	12 mm	0,47 in	1,9 mm	0,08 in	3 mm	0,12 in	25 g	0,88 oz

▶ General Purpose Tweezers Type 648



▶ Type 648 general purpose tweezers are made to hold components firmly. Line serration gives tips and handles extra grip, also preventing slips. The alignment pin prevents the tips from intersecting. Suitable for medical applications.

- Type 648
- Tip description: straight, thick, blunt, strong, line serrated

Part No.													
TL 648-SA 648		155 mm	6,1 in	8 mm	0,32 in	14 mm	0,55 in	0,8 mm	0,03 in	0,8 mm	0,03 in	22 g	0,78 oz

Bent Tips

▶ General Purpose Tweezers Type 124



▶ Type 124 general purpose tweezers are made to hold components very firmly. The bent geometry provides maximum visibility and increased ergonomics. Line serration gives the handles extra grip and rhomb serrated tips prevent slipping. Suitable for medical applications.

- Type 124
- Tip description: fine, bent, blunt, rhomb serrated

Part No.													
TL 124-SA 124		150 mm	5,91 in	14 mm	0,55 in	12 mm	0,47 in	0,8 mm	0,03 in	0,9 mm	0,04 in	20 g	0,71 oz

▶ General Purpose Tweezers Type 649



▶ Type 649 general purpose tweezers are made to hold components firmly. Bent tips provide maximum visibility and increased ergonomics. Line serration gives tips and handles extra grip, also preventing slips. The alignment pin prevents the tips from intersecting. Suitable for medical applications.

- Type 649
- Tip description: bent, thick, blunt, strong, line serrated

Part No.													
TL 649-SA 649		154 mm	6,1 in	14 mm	0,55 in	14 mm	0,55 in	0,8 mm	0,03 in	0,8 mm	0,03 in	22 g	0,78 oz

Straight Tips

- Body material: anti-magnetic, anti-acid stainless steel
- Lindström tweezers offer perfect balance, tip alignment and symmetry
- Suitable for wafer handling and electronic components
- Made in Switzerland

▶ Stainless Steel Component Positioning Tweezers Type 578



▶ Type 578 component positioning tweezers are suitable to delicate applications which require holding a 2-mm cylindrical device. The line serration gives the handles extra grip.

- Component handling tweezers, Type 578
- Tip description: straight, grooved, for 2mm cylindrical device and serrated handles

Part No.													
TL 578-SA 578		120 mm	4,72 in	9 mm	0,35 in	10 mm	0,39 in	1,3 mm	0,05 in	4 mm	0,16 in	15 g	0.53 oz

▶ Stainless Steel Component Positioning Tweezers, Type 582



▶ Type 582 component positioning tweezers are suitable to delicate applications which require holding a 1-mm cylindrical device. The line serration gives the handles extra grip.

- Component handling tweezers, Type 582
- Tip description: straight, grooved, arc shape, for 1mm cylindrical device

Part No.													
TL 582-SA 582		115 mm	4,53 in	10 mm	0,39 in	13 mm	0,51 in	0,9 mm	0,04 in	3,5 mm	0,14 in	15 g	0.53 oz



SMD Tweezers

Straight Tips

- Body material: anti-magnetic, anti-acid stainless steel
- Professional Lindström SMD tweezers offer perfect balance, tip alignment and symmetry and are suited for medical applications
- Made in Switzerland

► Precision SMD Tweezers Type SM 104



► Type SM104 precision SMD tweezers are made for handling and positioning 3 lead SOT packages and monolithic chip capacitors.

- Type SM104
- Tip description: handling and positioning SOT packages, monolithic chip capacitors, straight

Part No.													
TL SM 104-SA	SM104	120 mm	4,72 in	10 mm	0,39 in	11 mm	0,43 in	0,35 mm	0,01 in	1,7 mm	0,07 in	15 g	0.53 oz

► Precision SMD Tweezers Type SM 105



► Type SM105 precision SMD tweezers are specially designed for positioning all SOT packages vertically.

- Type SM105
- Tip description: handling, positioning SOT packages vertically, hammer shaped, straight

Part No.													
TL SM 105-SA	SM105	120 mm	4,72 in	10 mm	0,39 in	11 mm	0,43 in	0,35 mm	0,01 in	1,6 mm	0,06 in	15 g	0.53 oz

► Precision SMD Tweezers Type SM 106



► Type SM106 precision SMD tweezers are specially designed for positioning all SOT packages horizontally.

- Type SM106
- Tip description: handling, positioning SOT packages, fine shaped, straight

Part No.													
TL SM106-SA	SM106	120 mm	4,72 in	11 mm	0,43 in	11 mm	0,43 in	0,25 mm	0,01 in	3,8 mm	0,15 in	15 g	0.53 oz

► Precision SMD Tweezers Type SM 108



► Type SM108 precision SMD tweezers are specially designed for positioning and soldering 1-mm wide components. The groove on the handle allows reducing tension applied on the component to avoid damage.

- Type SM108
- Tip description: positioning, soldering 1mm wide components, straight

Part No.													
TL SM 108-SA	SM108	120 mm	4,72 in	10 mm	0,39 in	11 mm	0,43 in	0,3 mm	0,01 in	1,5 mm	0,06 in	15 g	0.53 oz

► Precision SMD Tweezers Type SM 109



► Type SM109 precision SMD tweezers are specially designed for positioning and soldering 1-mm wide components.

- Type SM109
- Tip description: positioning, soldering 1mm wide components, 45 degrees, straight

Part No.													
TL SM 109-SA SM109		120 mm	4,72 in	10 mm	0,39 in	11 mm	0,43 in	0,3 mm	0,01 in	1,1 mm	0,04 in	15 g	0.53 oz

► Precision SMD Tweezers Type SM 110



► Type SM110 precision SMD tweezers are specially designed for holding and positioning cylindrical devices.

- Type SM110
- Tip description: holding, positioning 0.5mm cylindrical devices, grooved, straight

Part No.													
TL SM 110-SA SM110		120 mm	4,72 in	10 mm	0,39 in	11 mm	0,43 in	0,45 mm	0,02 in	2 mm	0,08 in	15 g	0.53 oz

► Precision SMD Tweezers Type SM 111



► Type SM111 precision SMD tweezers are specially designed for holding and positioning cylindrical devices.

- Type SM111
- Tip description: positioning 0.6mm cylindrical devices, grooved

Part No.													
TL SM 111-SA SM111		115 mm	4,53 in	10 mm	0,39 in	11 mm	0,43 in	0,5 mm	0,02 in	1,5 mm	0,06 in	15 g	0.53 oz

► Precision SMD Tweezers Type SM 116



► Type SM116 precision SMD tweezers are specially designed for holding and positioning cylindrical devices.

- Type SM116
- Tip description: holding, positioning 0.6mm cylindrical devices, grooved, straight

Part No.													
TL SM116-SA SM116		115 mm	4,53 in	10 mm	0,39 in	11 mm	0,43 in	0,6 mm	0,02 in	0,85 mm	0,03 in	14 g	0,49 oz

Bent Tips

► Precision SMD Tweezers Type SM 107



► Type SM107 precision SMD tweezers are specially designed for positioning all flat devices at a 60-degree angle.

- Type SM107
- Tip description: positioning flat devices, double bent

Part No.													
TL SM 107-SA SM107		120 mm	4,72 in	10 mm	0,39 in	11 mm	0,43 in	0,15 mm	0,01 in	1,4 mm	0,06 in	15 g	0.53 oz

Angled Tips

► Precision SMD Tweezers Type SM 103



► Type SM103 precision SMD tweezers are made for handling and positioning 2 and 3 lead SOT packages at a 45-degree angle.

- Type SM103
- Tip description: handling, positioning at 45 degrees angle

Part No.													
TL SM 103-SA SM103		115 mm	4,53 in	14 mm	0,55 in	11 mm	0,43 in	0,35 mm	0,01 in	1,6 mm	0,06 in	15 g	0.53 oz

► Precision SMD Tweezers Type SM 115



► Type SM115 precision SMD tweezers are specially designed for holding and positioning cylindrical devices.

- Type SM115
- Tip description: holding, positioning 0.6mm cylindrical devices, grooved at 30 degrees angle

Part No.													
TL SM 115-SA SM115		115 mm	4,53 in	10 mm	0,39 in	11 mm	0,43 in	0,6 mm	0,02 in	0,85 mm	0,03 in	14 g	0,49 oz

► Precision SMD Tweezers Type SM 117



► Type SM117 precision SMD tweezers are made for handling and positioning 2 and 3 lead SOT packages at a 45-degree angle.

- Type SM117
- Tip description: positioning SOT packages at 20 degrees angle, squared

Part No.													
TL SM 117-SA SM117		120 mm	4,72 in	11 mm	0,43 in	11 mm	0,43 in	0,4 mm	0,02 in	1,5 mm	0,06 in	15 g	0.53 oz

▶ ECONOMY TWEEZERS

- Excellent value for the price
- Body material: anti-magnetic, anti-acid stainless steel
- Lindström tweezers offer perfect balance, tip alignment and symmetry

▶ Stainless Steel Precision Economy Tweezers



Part No.													
TL 00-SA-SL	00	120 mm	4,72 in	10 mm	0,39 in	11 mm	0,43 in	0,25 mm	0,01 in	0,25 mm	0,01 in	20 g	0,71 oz
TL 1-SA-SL	1	120 mm	4,72 in	10 mm	0,39 in	11 mm	0,43 in	0,2 mm	0,01 in	0,25 mm	0,01 in	15 g	0,53 oz
TL 2-SA-SL	2	120 mm	4,72 in	10 mm	0,39 in	11 mm	0,43 in	0,25 mm	0,01 in	0,3 mm	0,01 in	16 g	0,56 oz
TL 2A-SA-SL	2A	118 mm	4,65 in	10 mm	0,39 in	11 mm	0,43 in	0,3 mm	0,01 in	2 mm	0,08 in	16 g	0,56 oz
TL 3-SA-SL	3	125 mm	4,92 in	10 mm	0,39 in	11 mm	0,43 in	0,2 mm	0,01 in	0,25 mm	0,01 in	15 g	0,53 oz
TL 3C-SA-SL	3C	110 mm	4,33 in	9,5 mm	0,39 in	10 mm	0,43 in	0,2 mm	0,01 in	0,25 mm	0,01 in	13 g	0,46 oz
TL 4-SA-SL	4	110 mm	4,33 in	10 mm	0,39 in	11 mm	0,43 in	0,2 mm	0,01 in	0,2 mm	0,01 in	13 g	0,46 oz
TL 5-SA-SL	5	110 mm	4,33 in	10 mm	0,39 in	11 mm	0,43 in	0,2 mm	0,01 in	0,2 mm	0,01 in	13 g	0,46 oz
TL 5A-SA-SL	5A	110 mm	4,33 in	10 mm	0,39 in	11 mm	0,43 in	0,2 mm	0,01 in	0,2 mm	0,01 in	14 g	0,49 oz
TL AC-SA-SL	AC	110 mm	4,33 in	9,5 mm	0,39 in	12 mm	0,47 in	0,3 mm	0,01 in	0,4 mm	0,02 in	17 g	0,6 oz
TL SS-SA-SL	SS	140 mm	5,51 in	8 mm	0,32 in	12 mm	0,47 in	0,2 mm	0,01 in	0,3 mm	0,01 in	15 g	0,53 oz
TL AA-SA-SL	AA	128 mm	5,04 in	11,5 mm	0,45 in	11 mm	0,43 in	0,3 mm	0,01 in	0,5 mm	0,02 in	18 g	0,63 oz
TL MM-SA-SL	MM	125 mm	4,92 in	11 mm	0,43 in	12 mm	0,47 in	0,25 mm	0,01 in	0,5 mm	0,02 in	18 g	0,63 oz
TL 7-SA-SL	7	120 mm	4,72 in	10 mm	0,39 in	11 mm	0,43 in	0,25 mm	0,01 in	0,3 mm	0,01 in	15 g	0,53 oz
TL 7A-SA-SL	7A	120 mm	4,72 in	10 mm	0,39 in	11 mm	0,43 in	0,25 mm	0,01 in	0,3 mm	0,01 in	14 g	0,49 oz







WARRANTY

Lindström brand tools carry a full guarantee covering defects in manufacturing material and workmanship. Lindström does not offer, suggest nor imply a lifetime warranty applies to any tool, product or service. Tools subjected to misapplication, abnormal use, abuse, alteration, or continued use after the tool is significantly worn, are not covered by this warranty. The Lindström facility conducts all tool evaluations for warranty claims.

Warranty Address:
SNA Europe [UK]
Moorhead Way
Bramley, Rotherham
South Yorkshire
S66 1YY

E-mail: sales.uk@snaeurope.com

Questions involving the performance of your Lindström tools should be directed to our customer service office listed above.

SERVICES

Only factory-authorized service can offer resharpener and reconditioning that keeps the Lindström warranty intact. Our service center in Midland, GA offers a full range of reconditioning, calibration and tool sharpening for all Lindström brand products and other brands. Services offered include:

- Cutter reconditioning: Sharpening cutting edges, installing new grips & springs, adjusting the joint
- Sharpening only: Cutters, scissors, cutting tweezers
- Pliers reconditioning: Jaw resurfacing, installing new grips and springs and adjusting the joint
- Recalibration: Repair, recalibration, and recertification for torque screwdrivers
- Tweezers reconditioning: Tip straightening and realignment

Call 800 446 7404 or E-mail us at sales.uk@snaeurope.com for pricing and lead-time.

havasis

ÇÖZÜMÜN İLK ADI

Mersinli 2823/1 No: 2/130 Konak / İzmir

ONLINE ALIŞVERİŞ

pahaliyaalma.com

KURUMSAL İLETİŞİM

havasis.com.tr



Sipariş & Danışma Hattı

0549 449 3535

Bursa Bölge

0530 060 1029

Ankara Bölge

0553 251 5537

İstanbul Bölge

0532 440 2191



Teklif & Ürün Bilgi

hemendene@havasis.com.tr

Kalibrasyon & Bakım Onarım Merkezi

servisdestek@kalibo.com.tr